
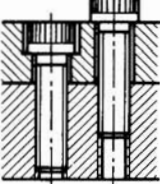

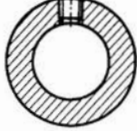

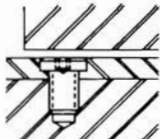



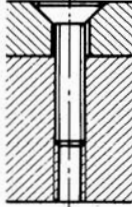


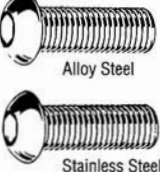
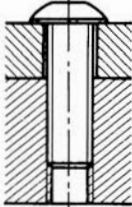
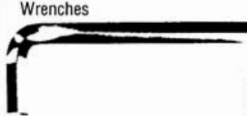
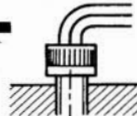
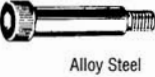
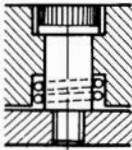

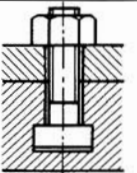

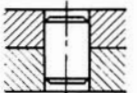

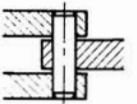


A full range of Cap Screws is available on request.

Type	Application/Features	Type	Applications/Features
Socket Head Cap Screws  Alloy Steel Stainless Steel	 Suitable for all high tensile applications. Use Stainless for corrosive-cryogenic or elevated temperatures.	Socket Set Screws  Alloy Steel Stainless Steel	 Fasten collars, sheaves, gears, knobs on shafts. Locate machine parts. Cone, half dog, oval, cup and self locking knurled cup points are standard.
Socket Low Head Cap Screw  Alloy Steel	 Suitable for use in parts too thin for std. SHCS; and for applications with limited clearances.	Pressure Plugs  3/4" Taper Dry Seal	 Features common to 3/4" and 7/8" tapers: Dryseal threads for positive seal without sealing compound: Controlled chamfer for faster starting.
Flat Head Screws  Alloy Steel Stainless Steel	 Controlled angle under the head ensures maximum flushness and sidewall contact. Non-slip Hex socket prevents marring of material. Note: Inclined angle under the head varies as follows: BSW & BSF Threads - 90o UNC & UNF Threads - 82o Metric Threads - 90o	 Levl Seal	 Levl-seat features: Controlled 7/8" taper in 3/4" taper hole seats plug level, flush with surface within 1/2 pitch.
Button Head Screws  Alloy Steel Stainless Steel	 Low heads streamline design. Use them in materials too thin to counter-sink; also for non-critical loading requiring heat treated screws.	Wrenches  Wrenches	 Tough, ductile, for high torquing; corners won't round; accurate fit in all types of socket screws. Size marked for quick identification.
Shoulder Screws  Alloy Steel	 Replaces costly special parts - shafts, pivots, pins, guides, linkages and trunnion mountings. Also standard for tool and die industries.	Tee Bolts  Alloy Steel	 Holds the heaviest work with absolute safety. Saves time in preparing work and machining. Can be used repeatedly. Cuts costs.
		Dowel Pins  Dowel Pins	 Formed ends, controlled head treat prevent chipping, close tolerances; Standard for die work; Also used as bearings, gauges, precision parts etc.
		Sellok Pins  Sellok Pins	 Fits standard size holes. Self locking, reusable, lightweight. Strong chamfered ends. Standard product is cadmium plated.

