



SPECIFICATION

Tridon Micro and Regular clamps feature a perforated (slotted) band

- 8mm (micro) and 12.5mm (regular) band widths.
- Hexagonal head incorporating screwdriver slot for ease of installation.
- Both micro and regular clamps feature a perforated (slotted) band.
- Built to original equipment standards.

Size Range		Part Number
mm	inches	Pack of 10
6 - 16mm	7/32 - 5/8	MAH004
11 - 18mm	7/16 - 11/16	MAH005
8 - 22mm	5/16 - 7/8	MAH006
9.5 - 22mm	3/8 - 7/8	HAS006
11 - 25mm	7/16 - 1	HAS008
14 - 27mm	9/16 - 1 1/16	HAS010
14 - 32mm	9/16 - 1 1/4	HAS012
17 - 38mm	1 1/16 - 1 1/2	HAS016
19 - 44mm	3/4 - 1 1/4	HAS020
27 - 51mm	1 1/16 - 2	HAS024
33 - 57mm	1 5/16 - 2 1/4	HAS028
40 - 64mm	1 9/16 - 2 1/2	HAS032
46 - 70mm	1 13/16 - 2 3/4	HAS036
52 - 76mm	2 1/16 - 3	HAS040
59 - 83mm	2 5/16 - 3 1/4	HAS044
65 - 89mm	2 9/16 - 3 1/2	HAS048
71 - 95mm	2 13/16 - 3 3/4	HAS052
78 - 102mm	3 1/16 - 4	HAS056
84 - 108mm	3 5/16 - 4 1/4	HAS060
90 - 114mm	3 9/16 - 4 1/2	HAS064
103 - 127mm	4 1/16 - 5	HAS072
117 - 140mm	4 5/8 - 5 1/2	HAS080
125 - 146mm	4 15/16 - 5 3/4	HAS084
106 - 152mm	4 3/16 - 6	HAS088
115 - 164mm	4 3/4 - 6 7/16	HAS096
133 - 170mm	5 1/4 - 7 1/16	HAS104
146 - 197mm	5 3/4 - 7 3/4	HAS116
159 - 206mm	6 1/4 - 8 1/8	HAS120
165 - 213mm	6 1/2 - 8 3/8	HAS124
175 - 217mm	6 7/8 - 8 9/16	HAS128
181 - 225mm	7 1/8 - 8 7/8	HAS136
206 - 251mm	8 1/8 - 9 7/8	HAS152
260 - 311mm	10 1/4 - 12 1/4	HAS188
279 - 330mm	11 - 13	HAS200
298 - 349mm	11 3/4 - 13 3/4	HAS212

MICRO CLAMPS (MAH Series)

Series	MAH
Band	5/16" (8mm) 301 Stainless Steel
Housing	301 Stainless Steel
Screw	1/4" (6.3mm) Hex Head, 305 Stainless

REGULAR CLAMPS (HAS Series)

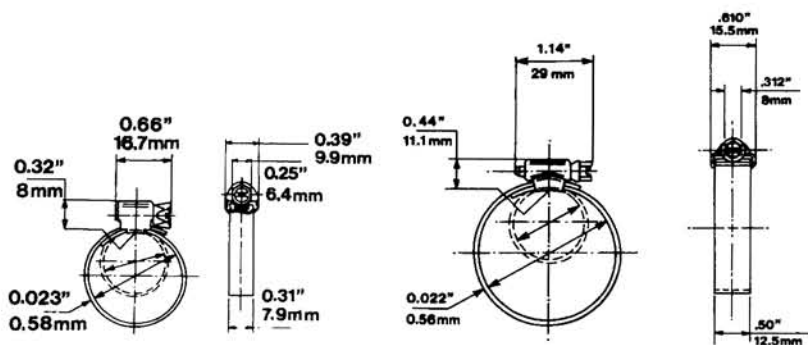
Series	HAS
Band	1/2" (12.5mm) 301 Stainless Steel
Housing	301 Stainless Steel
Screw	5/16" (8mm) Hex Head, 305 Stainless



SIZES 004-006



SIZES 006-212



Larger sizes available on request

