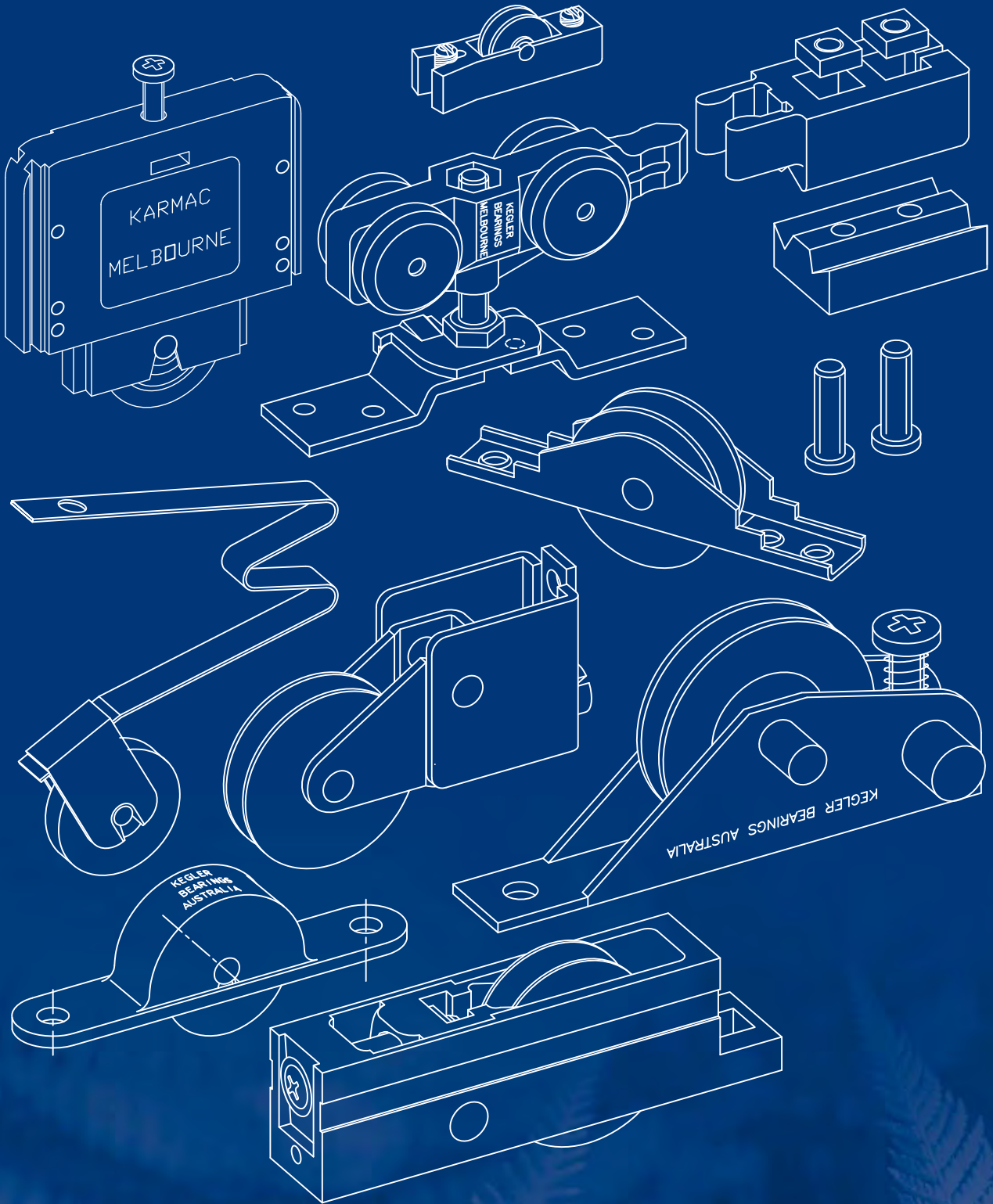
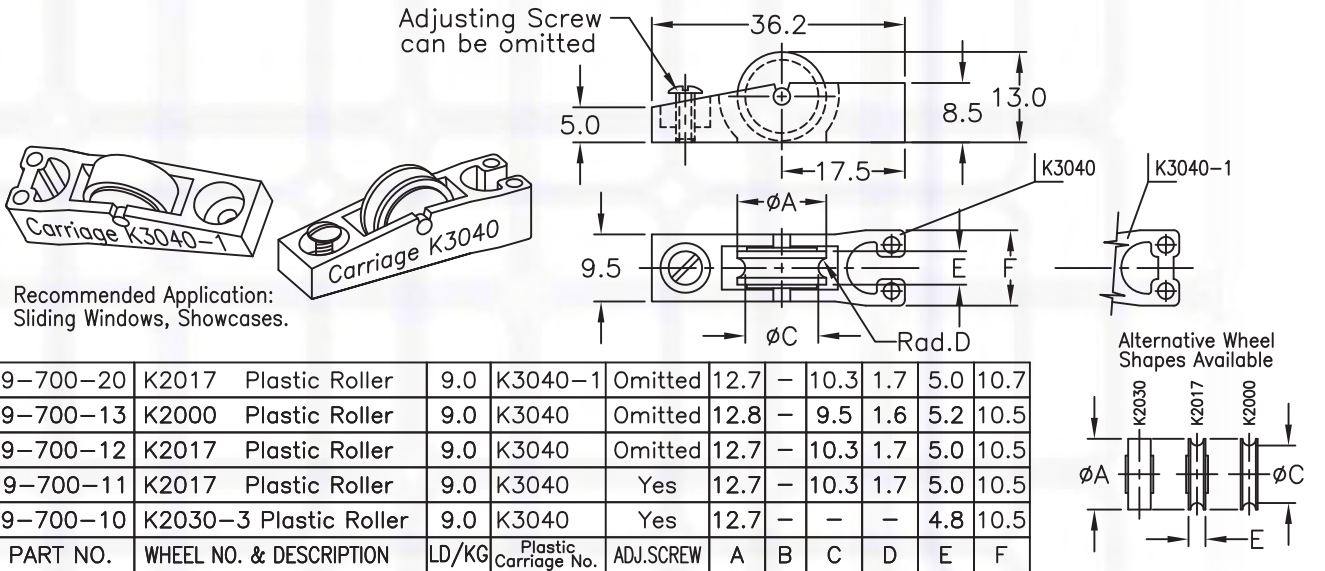
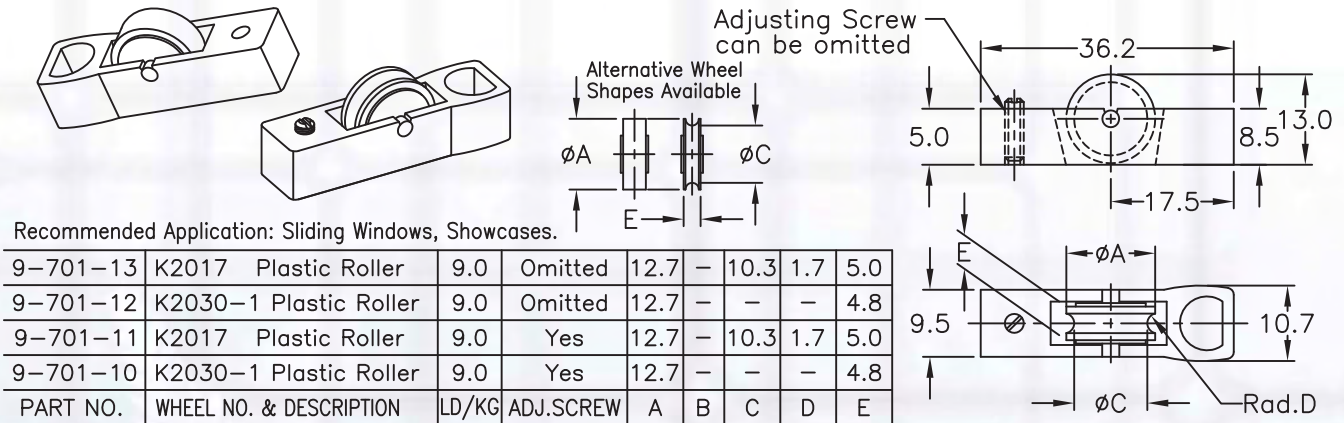


# ULLRICH - KEGLER BEARINGS

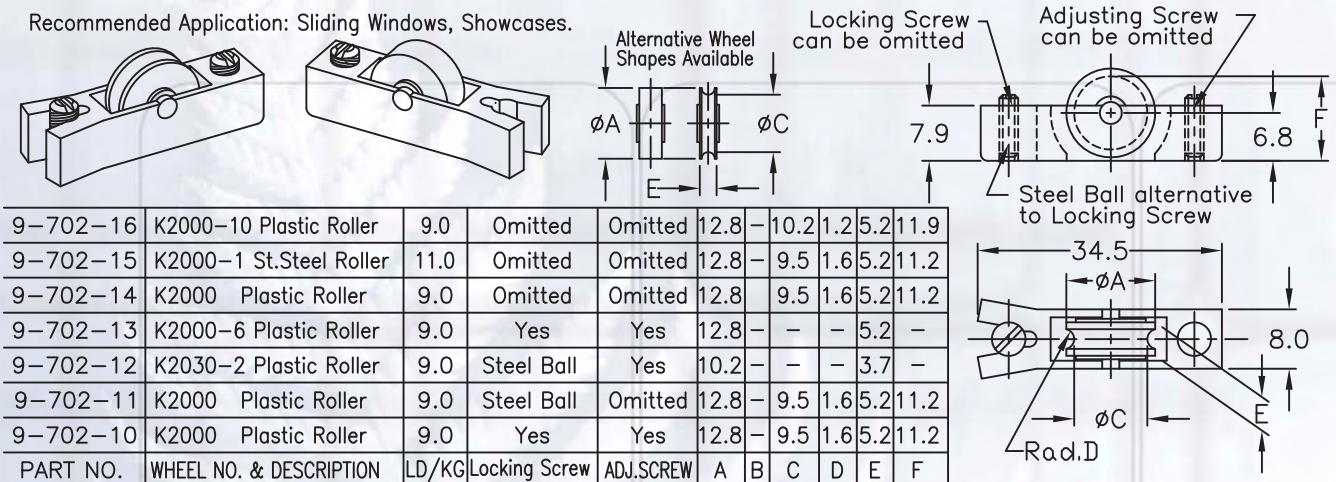




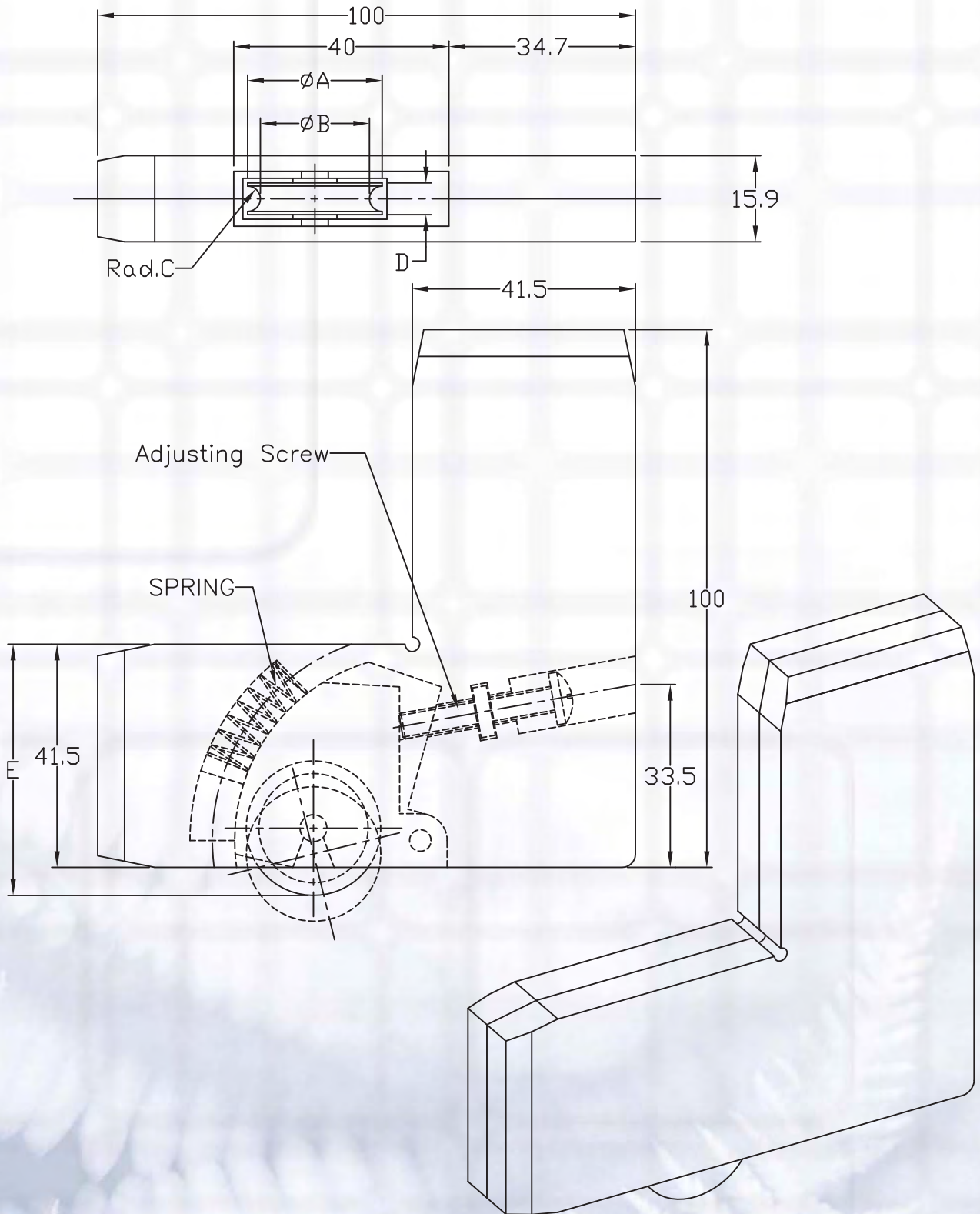
9-701 ADJUSTABLE PLASTIC SLIDING WINDOW CARRIAGE



9-702 ADJUSTABLE PLASTIC SLIDING WINDOW CARRIAGE

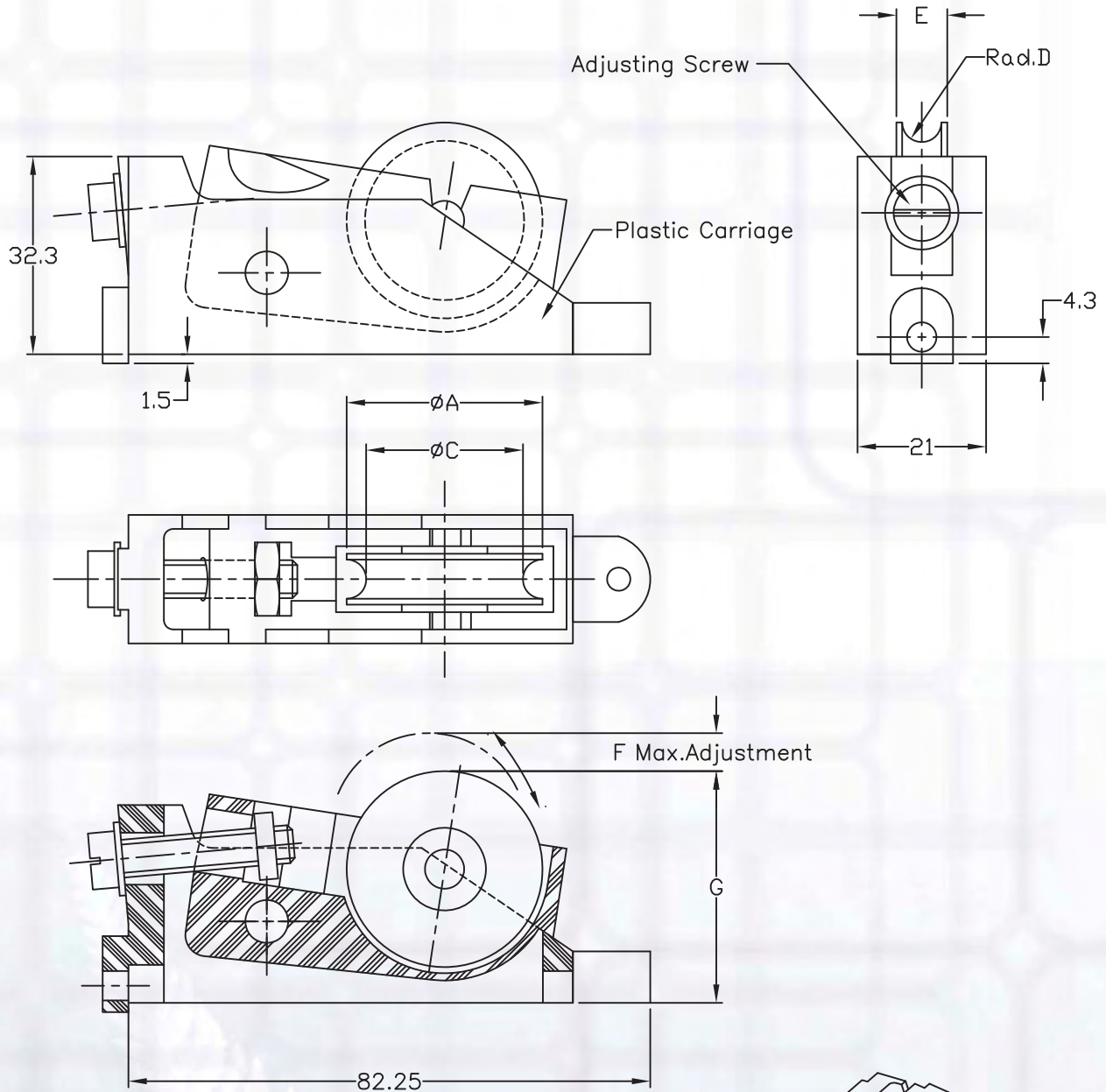






9-723-11	7200-242	PLASTIC TYRED BEARING	14.0	24	19.7	2.5	6.4	41.5	54	
9-723-10	K2015-12	PLASTIC ROLLER	13.0	25	19	2.5	6.6	41.5	53.6	
PART NO.	WHEEL NO. & DESCRIPTION	LD./KG.	A	B	C	D	MIN MAX		E	REMARKS



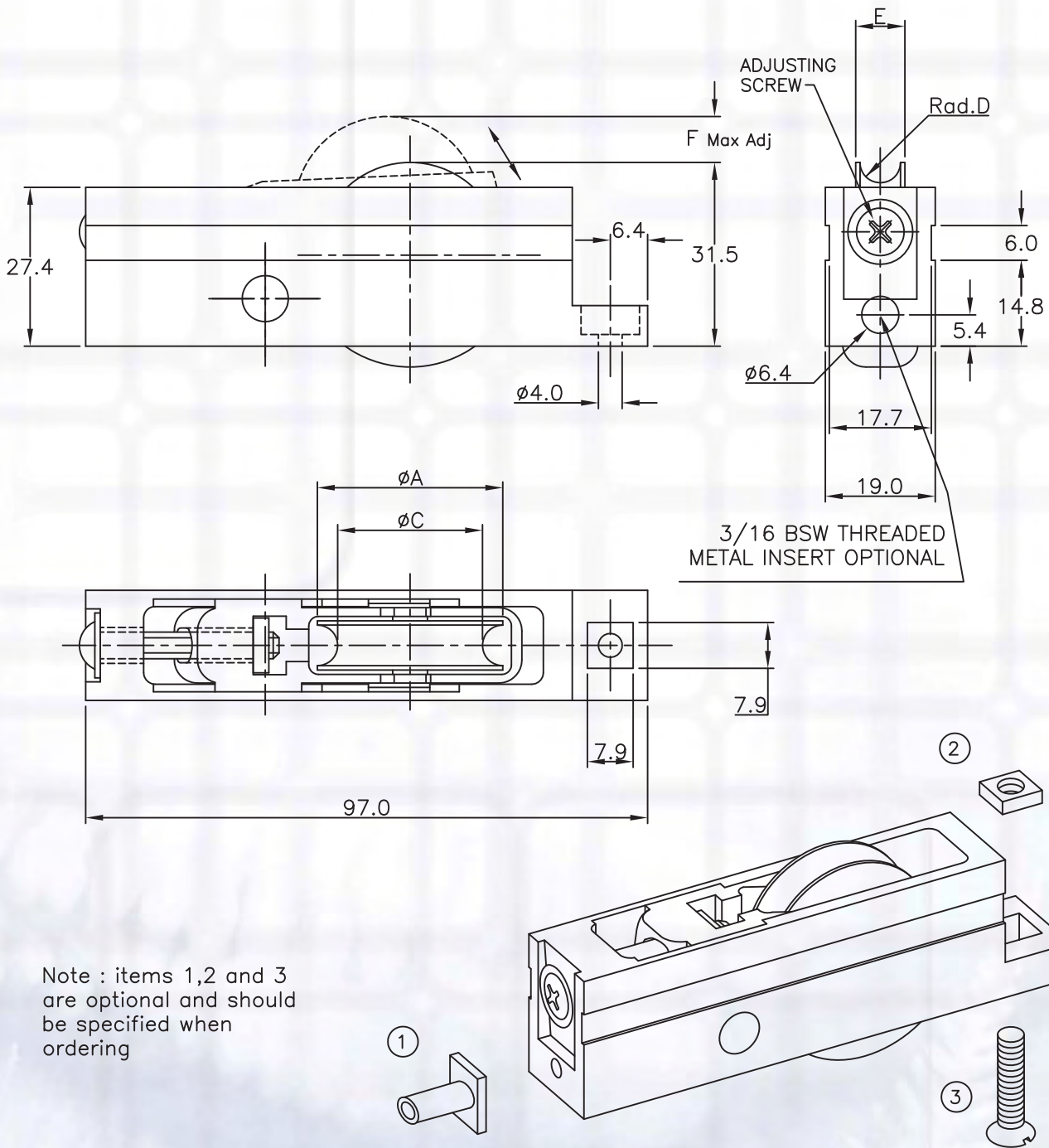


A REPLACEMENT FOR 9-400 SERIES

9-730-11	K2015-14 Plastic Tyred Needle Bearing	34.0	32.0	-	26.0	3.5	8.0	12.0	37.8	
9-730-10	7200-323 Plastic Tyred Bearing	27.0	32.0	-	25.7	3.2	8.3	12.0	37.8	
PART NO.	WHEEL NO. & DESCRIPTION	LD./KG.	A	B	C	D	E	F	G	REMARKS



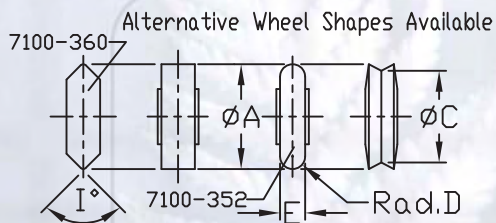
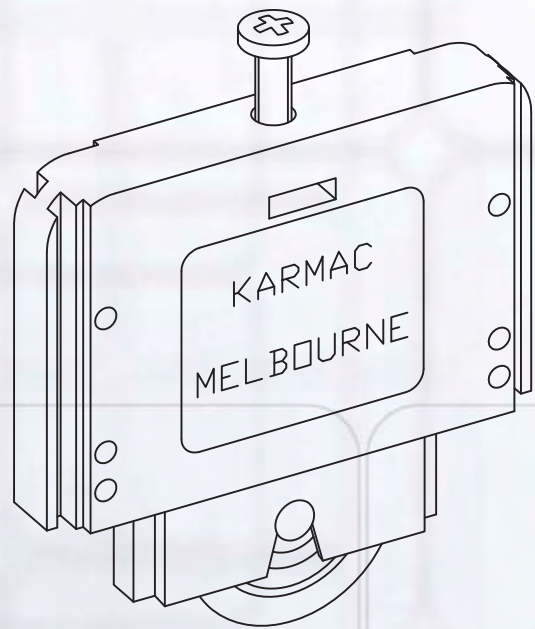
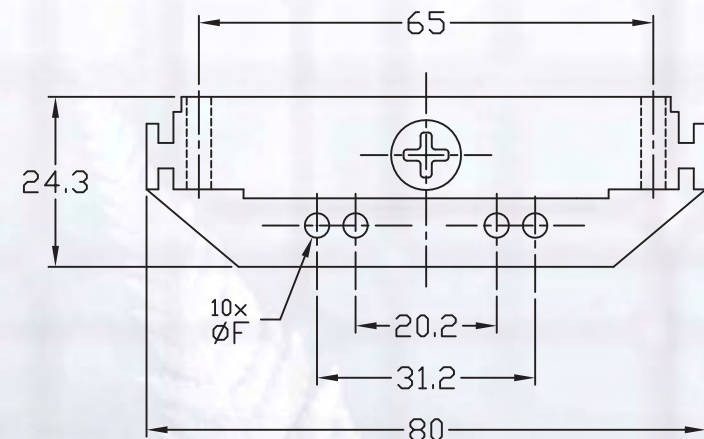
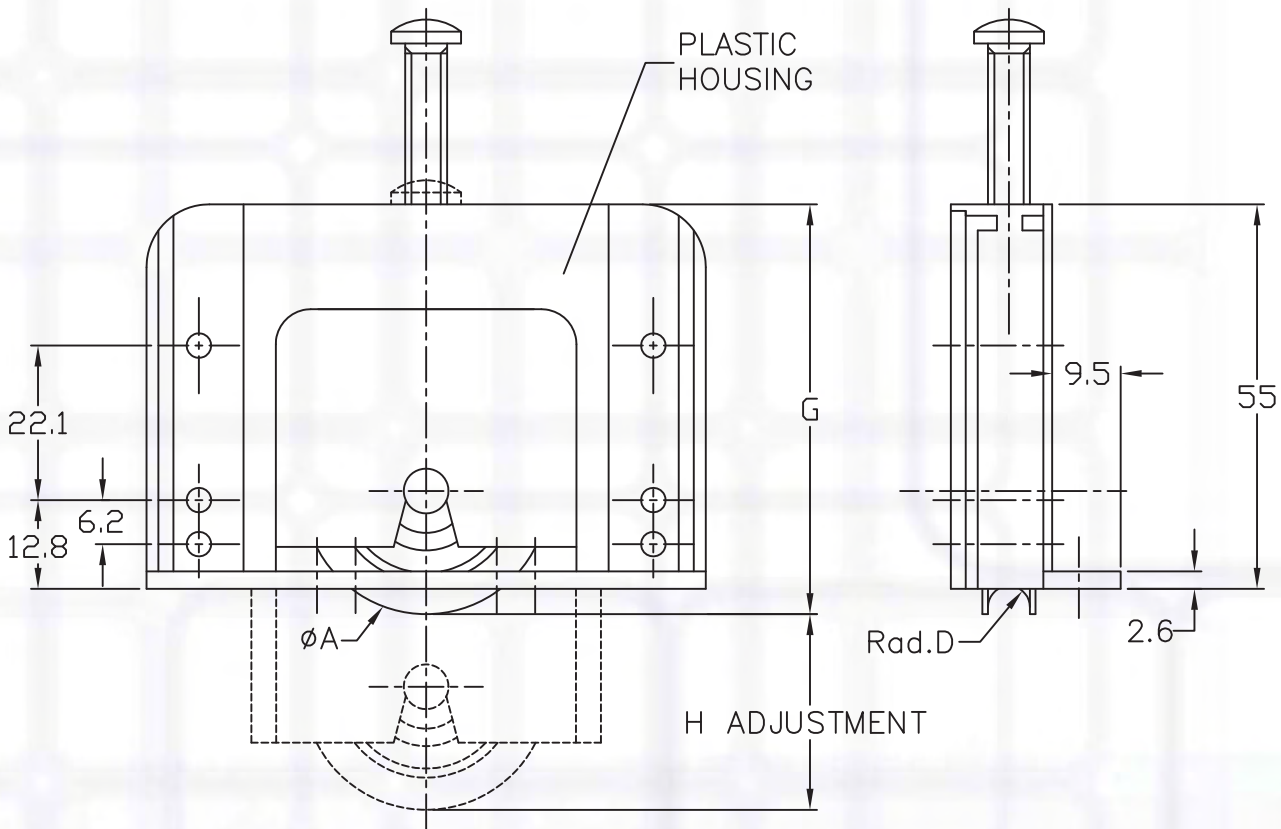




Note : items 1,2 and 3 are optional and should be specified when ordering

9-731-13	7200-332 Plastic Tyred Ball Bearing	28.0	33.0	-	27.0	2.9	8.2	10.0	
9-731-12	K2015-14 Plastic Tyred Needle Bearing	34.0	32.0	-	26.0	3.5	8.0	10.0	
9-731-11	7200-301 Plastic Tyred Ball Bearing	30.0	30.0	-	26.0	3.5	8.2	10.0	
9-731-10	7200-323 Plastic Tyred Ball Bearing	28.0	32.0	-	26.0	3.2	8.4	10.0	
PART NO.	WHEEL NO. & DESCRIPTION	LD./KG.	A	B	C	D	E	F	REMARKS

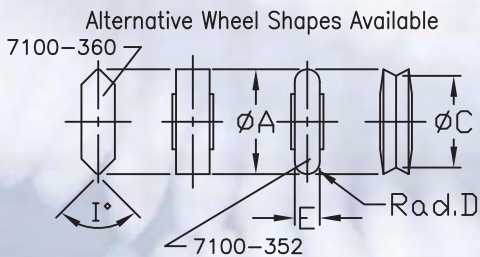
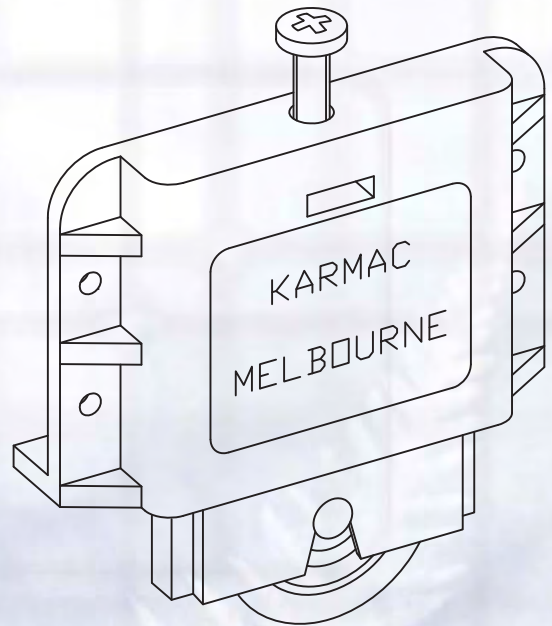
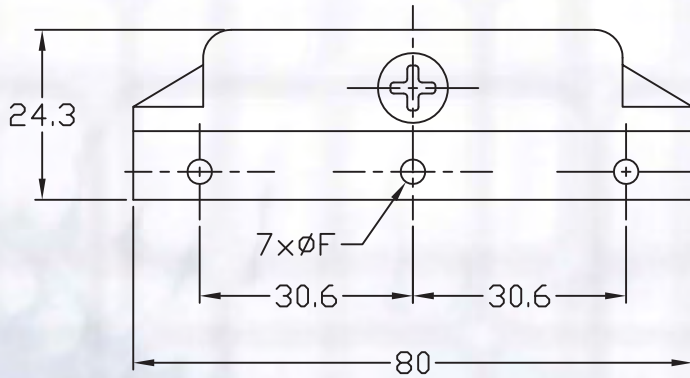
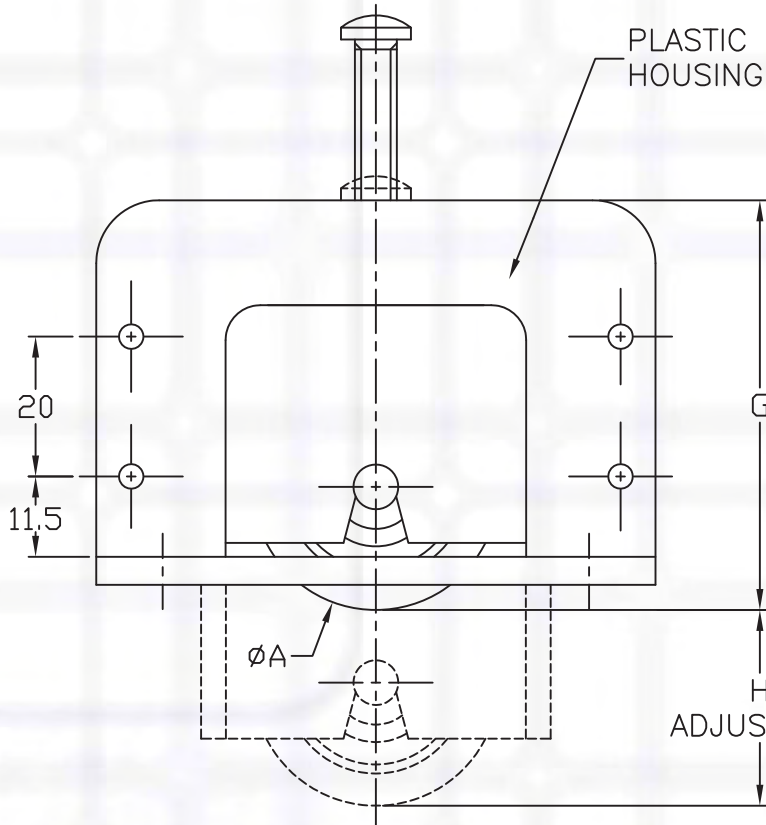




9-734-12	7100-360 Plastic Tyred Ball Bearing	25.0	36.0	-	-	2.0	8.0	3.5	58.0	20	90°
9-734-11	7100-352 Plastic Tyred Ball Bearing	25.0	35.0	-	-	4.1	8.0	3.5	58.0	20	-
9-734-10	7250-362 Plastic Tyred Ball Bearing	25.0	36.0	-	28.0	2.6	8.0	3.5	59.0	20	-
PART NO.	WHEEL NO. & DESCRIPTION	LD./KG.	A	B	C	D	E	F	G	H	I



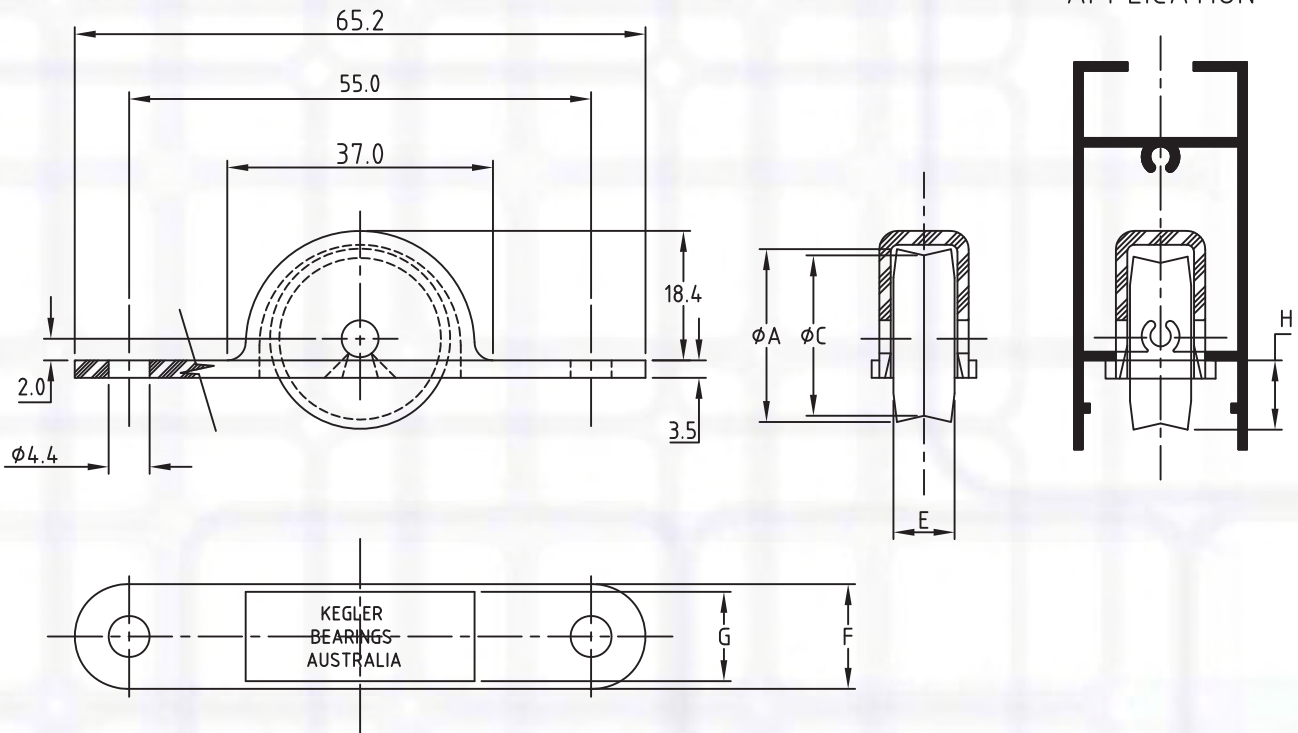




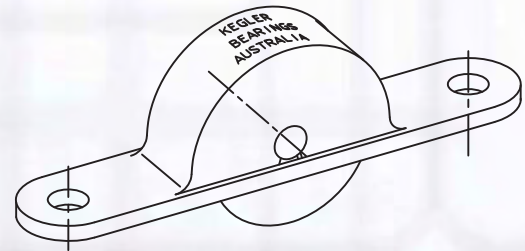
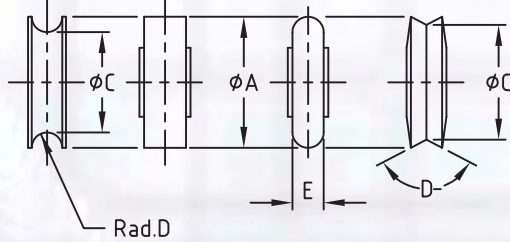
9-737-12	7100-360 Plastic Tyred Ball Bearing	25.0	36.0	-	-	2.0	8.0	3.5	59.0	20	90°
9-737-11	7100-352 Plastic Tyred Ball Bearing	25.0	35.0	-	-	4.1	8.0	3.5	58.0	20	-
9-737-10	7250-362 Plastic Tyred Ball Bearing	25.0	36.0	-	28.0	2.6	8.0	3.5	59.0	20	-
PART NO.	WHEEL NO. & DESCRIPTION	LD./KG.	A	B	C	D	E	F	G	H	I



EXAMPLE OF APPLICATION



Alternative Wheel Shapes Available



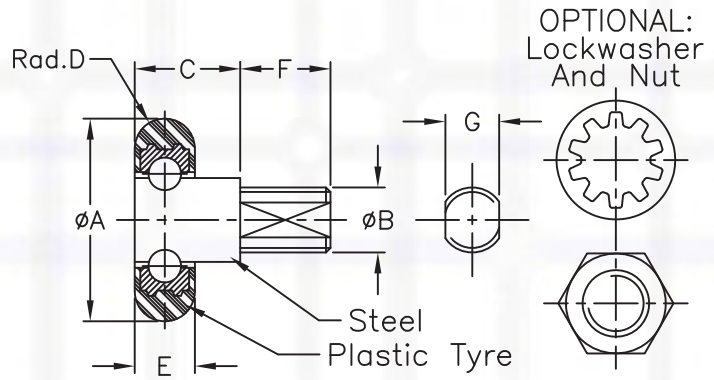
9-746-24	7500-281/1 Plastic Tyred Ball Bearing	30	28	-	24.6	150°	11	18.8	10.8	15.8	
9-746-23	7500-281 Plastic Tyred Ball Bearing	30	28	-	25.6	154°	11	18.8	10.8	15.8	
9-746-22	7500-280 Plastic Tyred Ball Bearing	30	28	-	22.5	125°	11	18.8	9.5	15.8	
9-746-21	K2080-6 Plastic Roller	12	21	-	18.7	154°	10.2	18.8	6.5	15.8	
9-746-20	K2081-5 Plastic Tyred Bearing	20	21	-	18.7	3.5	11	18.8	6.5	15.8	
9-746-19	K2081-11 Plastic Tyred Bearing	20	25	-	22.0	125°	11	18.8	9.0	15.8	
9-746-18	K2081-4 Plastic Tyred Bearing	20	25	-	23.0	154°	11	18.8	9.5	15.8	
9-746-17	K2080-10 Plastic Roller	12	25	-	23.2	154°	11	18.8	9.5	15.8	
9-746-16	K2081-10 Plastic Tyred Bearing	20	21	-	18.7	154°	11	18.8	8.5	15.8	
9-746-15	K2081-1 Plastic Tyred Bearing	20	21	-	17.0	125°	11	18.8	6.5	15.8	
9-746-14	K2080-1 Plastic Roller	12	21	-	17.0	125°	11	18.8	6.5	15.8	
9-746-13	7250-252 Plastic Tyred Ball Bearing	18	25	-	20.5	2.4	7.2	16.4	8.5	13.4	
9-746-12	K2015-17 Plastic Tyred Needle Bearing	30	28	-	22.0	3.3	7.8	16.4	9.0	13.4	
9-746-11	K2015-16 Plastic Tyred Needle Bearing	30	28	-	24.5	125°	7.5	16.4	10.5	13.4	
9-746-10	K2015-15 Plastic Tyred Needle Bearing	30	28	-	26.3	154°	7.5	16.4	11.0	13.4	
PART NO.	WHEEL NO. & DESCRIPTION	LD./KG.	A	B	C	D	E	F	H	G	REM





Recommended Applications:  
Sliding Windows,  
Shower Screens etc.

Note: Most dimensions and material can  
be changed to suit your requirements.

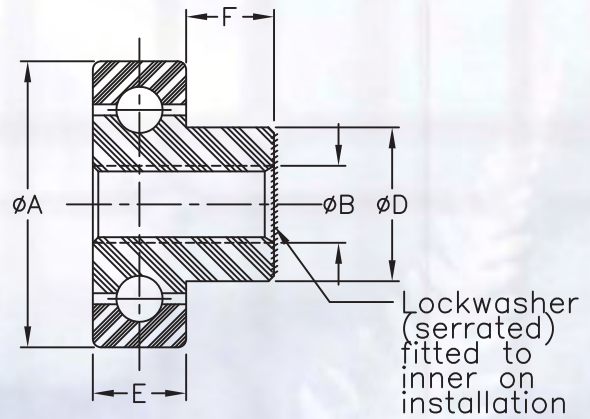


5175-180	10.0	18.5	1/4 BSW	9.9	3.1	6.2	7.2	4.7		
5175-290	20.0	29.0	3/8 BSW	15.1	4.3	8.6	12.8	7.7		
5175-200	10.0	20.0	1/4 BSW	9.9	3.1	6.2	7.2	4.7		
BEARING NO.	LOAD/KG	A	B	C	D	E	F	G		REMARKS

6040 PLASTIC TYRED BEARING

Recommended Applications:  
Sliding Windows,  
Shower Screens etc.

Note: Most dimensions and material can  
be changed to suit your requirements.



6040-220	T-N	13.0	22.0	8-32 UNF	-	10.5	6.5	2.8	-	
6040-193	T-N	13.0	19.0	8-32 UNF	-	10.5	6.3	2.8	-	
6040-192	K2068-2	11.0	19.0	5/32 BSW	-	9.5	6.35	3.2	All Plastic	
6040-191	K2068-2	11.0	19.0	5/32 BSW	-	9.5	6.35	7.4	All Plastic	
6040-190	K2068	11.0	18.3	5/32 BSW	-	9.5	6.35	5.1	All Plastic	
BEARING NO.	OUTER REF.	LOAD/KG	A	B	C	D	E	F		REMARKS

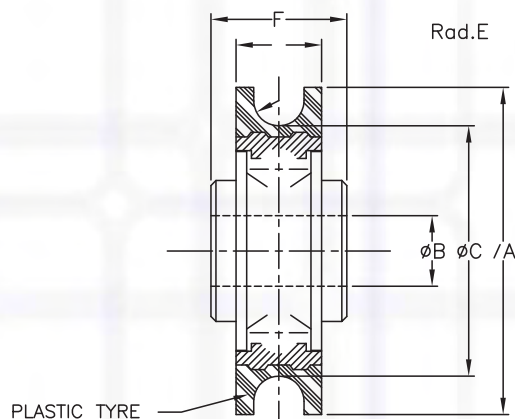


## Recommended Applications:

Sliding Wind ws,  
Sliding Door etc.

Material: Mild Steel with Plastic Tyre  
Stainless Steel thus\*

For suitable bearing axles refer series K4004 etc.  
Note: Most dimensions, material & finish can  
be changed to suit your requirements.



7200-511	KOYO	27.0	51.0	6.35	45.2	9.5	3.6	9.5	BRG K2 9 ,J
7200-510	K2005-1	27.0	51.0	6.35	45.2	9.5	3.6	11.1	
7200-451	K2005-6	27.0	45.0	6.35	3.1	9.5	3.2	9.5	
7200-450	K2005-2	27.0	45.0	6.35	3.1	9.5	3.2	1.4	
7200-422		27.0	42.0	6					
7200-421		27.0	42.0	6.35	3.1	9.5	3.2	11	
7200-420		27.0	42.0	6.35					
7200-412		27.0	41.0	6.35	3.1	9.5	3.6	9.5	
7200-410	TWN,H	27.0	41.0	6.35	3.1	9.5	3.6	1.4	
7200-382	TWN,H	27.0	38.0						
7200-381		27.0	38.0	6.35	31.8	10.4	3.6	9.5	
7200-380	K2005-4	27.0	38.0	6.35	31.8	10.4	3.6	12.7	
7200-362	TWN,H	27.0	36.0	8.0	32.0	8.5	2.2	9.00	BRG.608ZZ
7200-361	K2005-3	27.0	36.0	6.35	31.8	8.1	3.2	9.5	
7200-360	K2005-5	27.0	36.0	6.35	28.2	8.5	2.8	9.5	
72 -332	TWN,H	27.0	33.0	8.0	27.2	2	2.9	9	608ZZ
7200-331	K2003-4	27.0	33.0	6.0	27.0	9.3	2.9	9.5	
7200-330	K2003-4	27.0	33.0	6.35	27.0	9.2 <sup>+0.0</sup> <sub>-0.1</sub>	3.6	9.5	
7200-324		35	32.0	8.0	25.7	8.1	3.85	8.1	9-302-17
7200-323	TWN,MIC	27.0	32.0	6.4	25.6	8.3	3.2	9.5	
7200-322	K2003-1	27.0	32.0	6.0	25.4	7.9	2.9	9.5	
7200-321	K2003-1	27.0	32.0	6.35	25.4	7.9	3.4	9.5	
7200-320	K2003-1	27.0	32.0	6.35	25.4	7.9	2.9	9.5	
7200-302	608ZZ	30.0	30.0	8.0	24.0	8.0	3.0	9.0	9762-25
7200-301	608ZZ	30.0	30.0	8.0	26.0	8.2	3.5	9.0	7200-332
7200-300	TWN	22.0	30.0	6.0	24.0	8.0	2.6	8.7	
7200-290	K2003-5	25.0	29.0	6.35	25.4	9.1	2.9	9.5	
7200-280	K2003-9	25.0	28.0	4.76	22.2	9.4	3.4	10.0	
7200-260		16.0	26.0	6.0	19.2	6.8	2.0	6.0	BRG.606Z 9-237
7200-251	TWN,MIC	22.0	25.0	4.98	20.6	7.0	1.9	8.1	
7200-250	K2003-6	22.0	25.0	6.35	21.4	9.0	2.9	10.4	
7200-242		16.0	24.0	5.0	19.8	6.5	2.5	7.05	9-723-11
7200-241		16.0	24.0	5.0	19.8	6.6	2.5	7.6	
7200-240	K2003-8	16.0	24.0	3.18	19.8	5.6	1.6	6.35	
7200-222*	K2003-7	16.0	22.0	4.76	18.3	5.6	1.6	6.35	
7200-221	K2003-2	16.0	22.0	3.18	18.3	5.6	1.6	6.35	
7200-220	K2003-2	16.0	22.0	4.76	18.3	5.6	1.6	6.35	
7200-160	K2029	14.0	16.0	3.18	13.5	5.6	1.2	6.35	
BEARING NO.	OUTER REF.	LOAD/KG	A	B	C	D	E	F	REMARKS



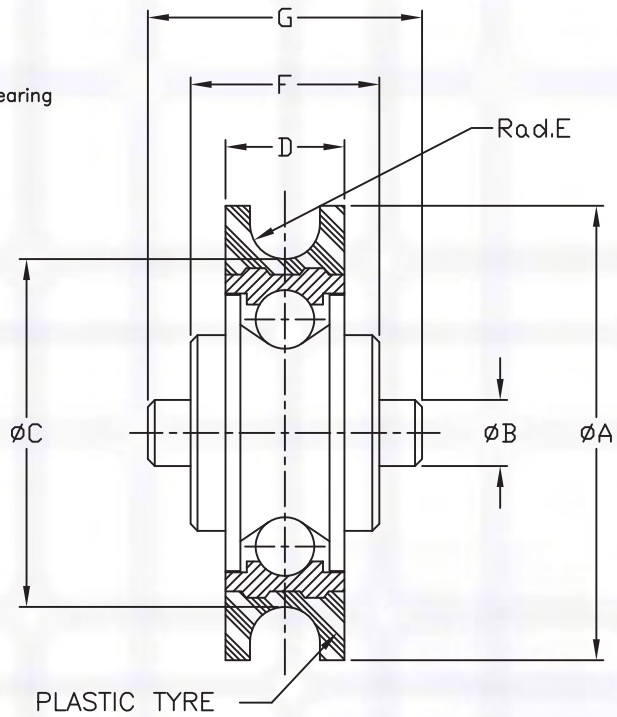
Recommended Applications:  
Sliding Windows,  
Sliding Door etc.

Material: Mild Steel with Plastic Tyred

Finish: Zinc plated

Note: Most dimensions, material & finish can  
be changed to suit your requirements.

\* Indicates Plastic Tyred Stainless Steel Bearing



7250-380	-	32	38	6.4	34	7.8	2.6	8.6	11.7	
7250-362	TWN	27	36	6.4	28	8.0	2.6	8.5	11.5	
7250-361	K2005-3	32	36	6.35	31.8	8.3	3.2	9.5	14	
7250-360	K2005-5	32	36	6.35	28	8.3	2.8	9.5	14	
7250-332	CH		33	6.35	27.2	8.3	2.8	8.8	12.0	
7250-323	TWN	27	32	6.35	25.4	8.3	3.2	9.5	18.3	7200-323+K4025-20
7250-322	K2003-1	27	32	6.35	25.4	8.3	2.8	9.5	18.3	
7250-321	K2003-1	27	32	6.35	25.4	8.3	2.8	9.5	15.9	
7250-320	K2003-1	27	32	4.76	25.4	8.3	2.8	9.5	15.9	
7250-302*	CH	30	30	6.4	24.2	8.3	2.8	9.1	12	
7250-301	CH	30	30	6.4	24.2	8.3	2.8	9.1	12	9-754, 9-760, 9-761-10
7250-300	TWN	22	30	6	24	8	2.6	8.7	15.3	
7250-254	TWN	20	25	6.4	20.5	7.4	2.9	8.2	11.4	9-743-10
7250-253		20	25	4.5	20.3	7.4	2.9	8.1	12.5	9-405-10
7250-252	TWN	20	25	6.4	20.5	7.2	2.5	9.0	12.9	
7250-251	TWN	20	25	5.0	20.6	7.0	1.9	8.1	9.2	7200-251+K4037-3
7250-242		18	24	5.0	19.8	6.5	2.5	7.05	9.2	7200-242+K4037-3
7250-240	TWN	18	24	?	?					
7250-160	TWN	13	16	3.18	13.5	5.2	1.2	6.35	9.5	9-749-729
PART NO.	OUTER REF.	Load/KG	A	B	C	D	E	F	G	REMARKS



71107B



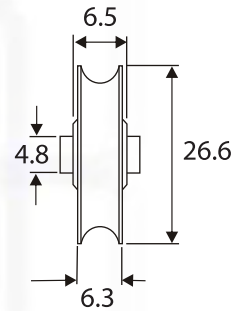
MC080 Adjustable Roller  
Black - Nylon Wheel

71109



MC081 Fixed Roller  
Nylon Wheel

NS2753  
(Z-92-0400-00)

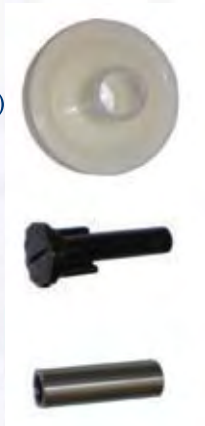


Max Load: 25kg  
Grooved Wheel

NS1905SC  
(Z-91-1628-sc)

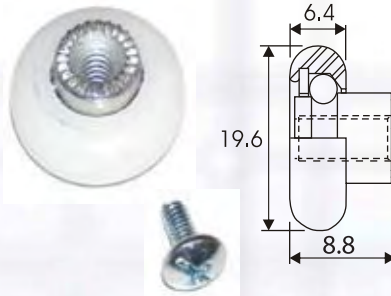
ND3606

L-9070054  
(Grooved Wheel)

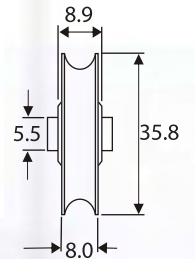


L-9070055  
(Pin)

L-9070056  
(Axle)



Max Load: 15kg  
Radiused Wheel

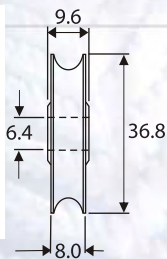


Max Load: 35kg  
Grooved Wheel

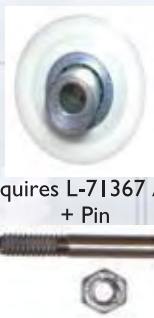
ND3701

ND3702

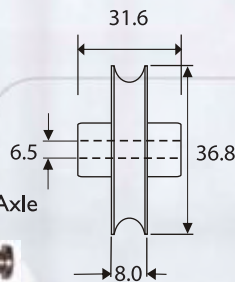
ND3703  
(Z-91-1626-00)



Max Load: 35kg  
Grooved Wheel



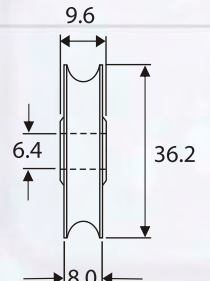
Requires L-71367 Axle  
+ Pin



Max Load: 35kg  
Grooved Wheel



Requires L-WHG101  
Pin + Axle

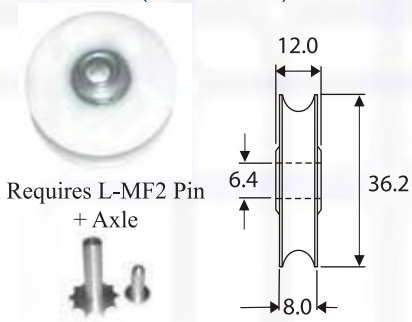


Max Load: 35kg  
Grooved Wheel



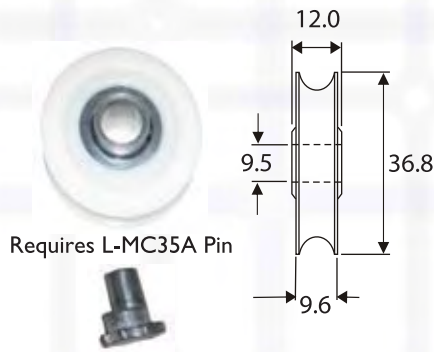


**ND3705**  
(Z-91-1625-00)



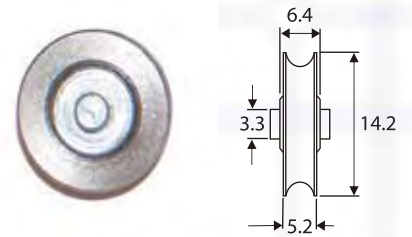
Max Load: 35kg  
Grooved Wheel

**ND3709**



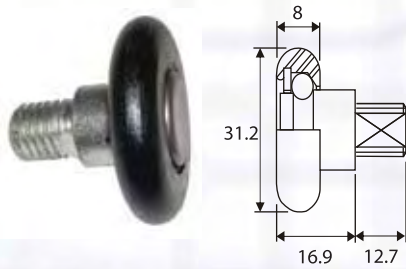
Max Load: 35kg  
Grooved Wheel

**SGLI492**  
(Stainless Steel)



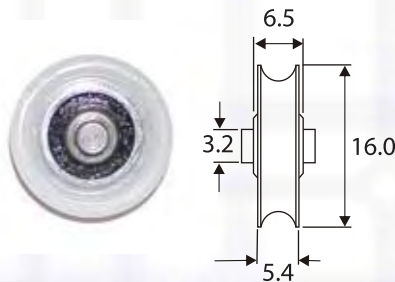
Max Load: 25kg  
Grooved Wheel

**NK3102**



Max Load: 35kg  
Radiused Wheel

**Z-IRI602**  
(Nylon Wheel)



Max Load: 12kg  
Grooved Wheel

**L-MF43**  
Style Slider Carriage  
(ND3606 Wheel required)



Width: 67.0mm  
Height: 35.0mm  
Thickness: 19.0mm

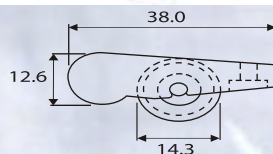
**L-WHA002**

Nu-Look Carriage  
(NS2753 Wheel required)



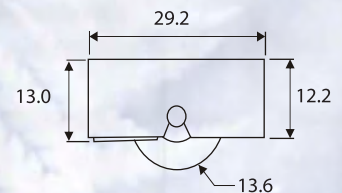
Width: 70.0mm  
Height: 24.4mm  
Thickness: 10.3mm

**NI401N**



Max Load: 12kg  
Grooved Wheel

**NI408NK**



Max Load: 12kg  
Flat Wheel



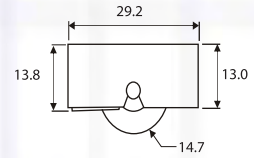
**NS2703NS**  
(with NS2753 Wheel)



Width: 47.6mm  
Height: 19.0mm  
Thickness: 9.4mm  
Wheel Diam. 26.6mm

Max Load: 15kg  
Grooved Wheel

**NI603N**



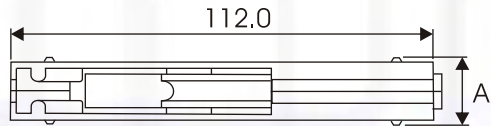
Max Load: 12kg  
Grooved Wheel

**Z-H212N**



Spring Loaded Carriage

**N5000 Series**



Grooved Wheel

	'A'
<b>N5001SF</b>	17.5
<b>N5003SF</b>	24.8



## ULLRICH ALUMINIUM SALES CENTRES

### WHANGAREI

2 Gumdigger Place  
PO Box 1694 Whangarei 0140  
Tel 09 438 7380  
Fax 09 438 4587  
Email: whgrsls@uacl.co.nz

### SILVERDALE

24 Anvil Road Silverdale  
Hibiscus Coast 0932  
Tel 09 427 0017  
Fax 09 427 0030  
Email: silvsales@uacl.co.nz

### AUCKLAND WEST

65 The Concourse  
Henderson 0610  
Tel 09 836 6061  
Fax 09 835 1365  
Email: hendsls@uacl.co.nz

### AUCKLAND CENTRAL

33-37 Great South Road  
PO Box 222 44 Otahuhu 1640  
Tel 09 276 3789  
Fax 09 276 7814  
Email: alkalum@uacl.co.nz

### AUCKLAND SOUTH

118 Wiri Station Road  
PO Box 98 843 SAMC  
Manukau City 2240  
Tel 09 262 6262  
Fax 09 262 6266  
Email: alkalum@uacl.co.nz

### EXPORT DIVISION

118 Wiri Station Road  
PO Box 98 843 SAMC  
Manukau City 2240  
Tel 09 262 6262  
Fax 09 262 6267  
Email: exports@uacl.co.nz

### BUILDING PRODUCTS DIVISION

#### ULLTRACLAD

Tel Russ Gray 021 541 563  
Fax 07 346 8215  
Email: russellg@uacl.co.nz

### TAURANGA

17 McDonald Street  
PO Box 4492 Mt Maunganui 3149  
Tel 07 575 3499  
Fax 07 575 0218  
Email: taurgsls@uacl.co.nz

### HAMILTON

39-45 Maui Street  
PO Box 1138 Hamilton 3240  
Tel 07 849 2909  
Fax 07 849 2589  
Email: hamsls@uacl.co.nz

### ROTORUA

124 Riri Street  
PO Box 965 Rotorua 3040  
Tel 07 346 8213  
Fax 07 346 8215  
Email: rotsls@uacl.co.nz

### NAPIER

Cnr Niven & Edmundsen Streets  
PO Box 695 Napier 4140  
Tel 06 843 3114  
Fax 06 843 3185  
Email: napsls@uacl.co.nz

### NEW PLYMOUTH

217 Courtenay Street  
PO Box 8023 New Plymouth 4342  
Tel 06 759 9120  
Fax 06 759 1598  
Email: nplythsls@uacl.co.nz

### PALMERSTON NORTH

8 Railway Road  
PO Box 4054 Palmerston North 4442  
Tel 06 356 2007  
Fax 06 356 8539  
Email: pnthsls@uacl.co.nz

### WELLINGTON

1 Cornish Street Petone  
Private Bag Te Puni MC 5045  
Tel 04 568 8188  
Fax 04 569 8759  
Email: wgtnsls@uacl.co.nz

### NELSON

6a Forests Road  
PO Box 2233 Stoke 7041  
Tel 03 547 4103  
Fax 03 547 8343  
Email: nelsales@uacl.co.nz

### CHRISTCHURCH

4 Iversen Terrace  
PO Box 100 50 Christchurch 8145  
Tel 03 366 7939  
Fax 03 379 5910  
Email: chchsals@uacl.co.nz

### TIMARU

60-64 Racecourse Road Timaru  
PO Box 2126 Washdyke 7941  
Tel 03 688 7649  
Fax 03 688 7659  
Email: timrsls@uacl.co.nz

### DUNEDIN

391 Kaikorai Valley Road  
PO Box 5010 Dunedin 9058  
Tel 03 453 0679  
Fax 03 453 5958  
Email: dunsals@uacl.co.nz

### INVERCARGILL

25 Bond Street  
PO Box 1681 Invercargill 9840  
Tel 03 218 4124  
Fax 03 218 4024  
Email: invsals@uacl.co.nz

For additional information on any Ullrich product, either contact your Ullrich Sales Consultant, refer to the back of this brochure for your nearest Ullrich Aluminium Sales Centre, or telephone 0800 500 338 for assistance.

ULLRICH ALUMINIUM CO LTD  
PO Box 98 843 SAMC  
Manukau City 2240 New Zealand  
Tel 09 262 6262 Fax 09 262 6265  
alkalum@uacl.co.nz  
www.ullrich.co.nz





Phone for your nearest  
**ULLRICH ALUMINIUM SALES CENTRE**

**AUSTRALIA - 1300 650 075**

**NEW ZEALAND - 0800 500 338**

- ALUMINIUM EXTRUSIONS
- ROLLED PRODUCTS
- FASTENINGS
- LADDERS
- SCAFFOLDS
- ULLTRACLAD CLADDING
- WINTEC WINDOWS & DOORS
- BUILDING PRODUCTS
- DECORATIVE METALS
- TEKNA MACHINERY

**Map key:**

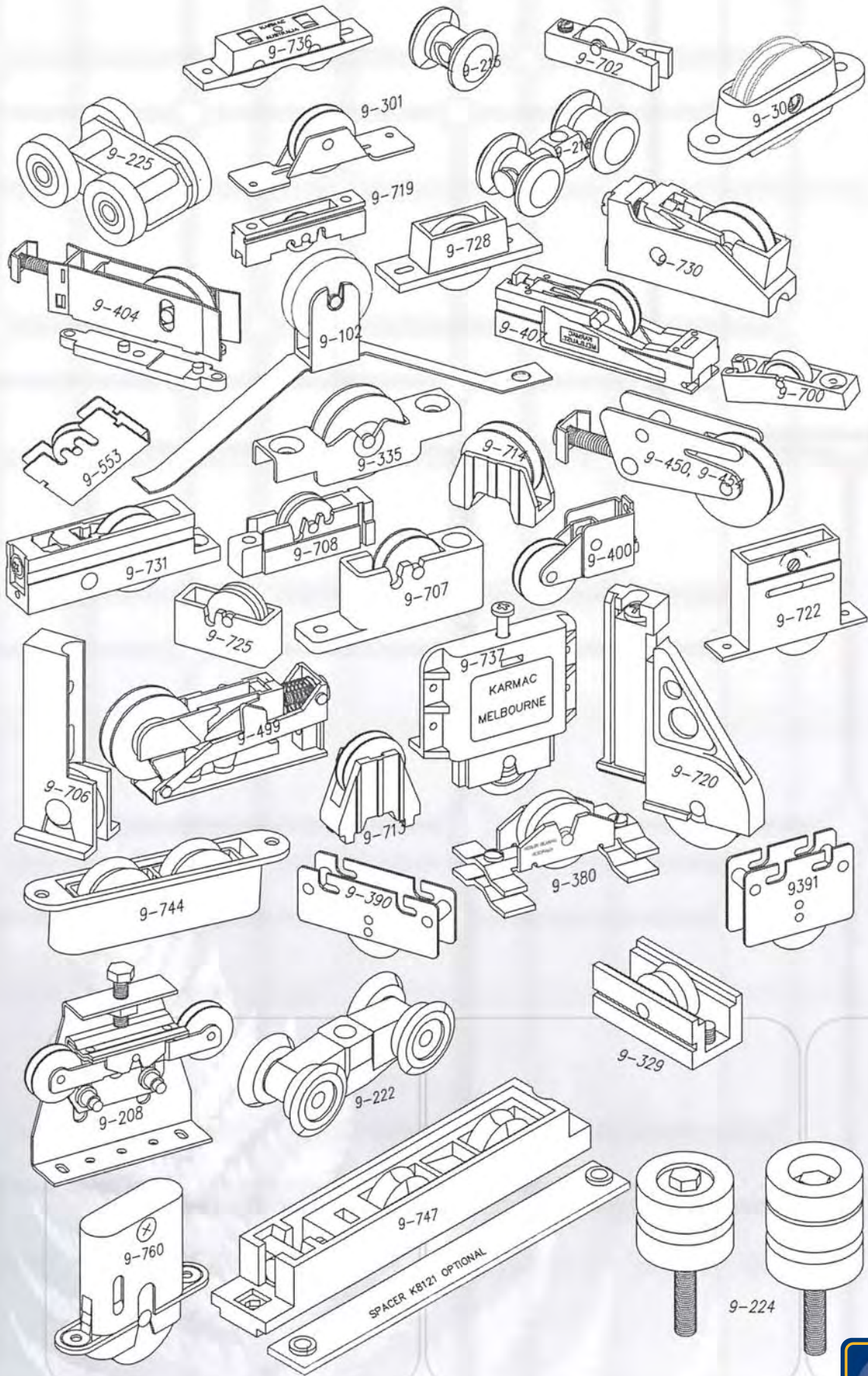
- + MANUFACTURING
- SALES & DISTRIBUTION
- \* EXTRUSION PLANT

Representative and franchised operations throughout the South Pacific

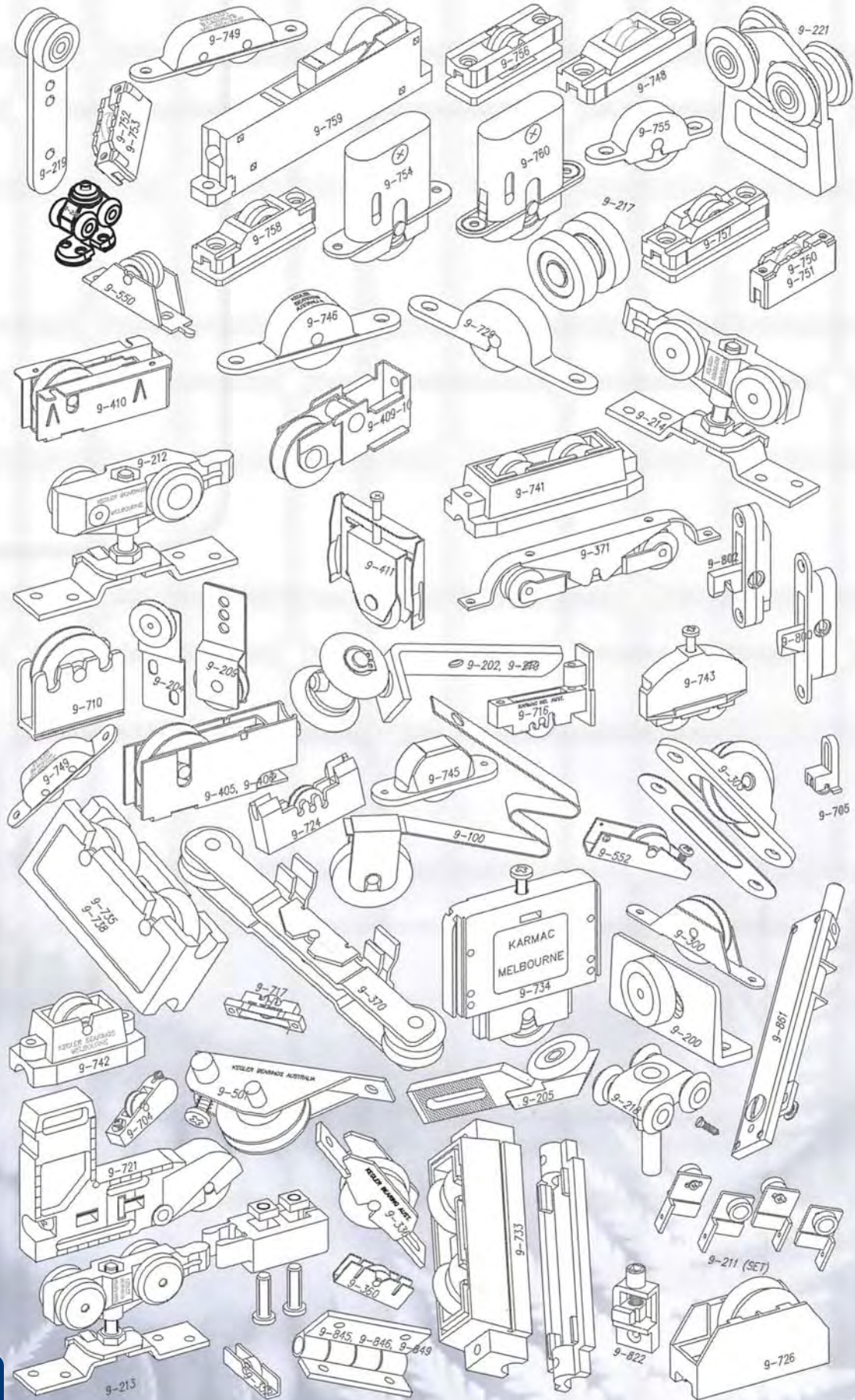
ULLRICH ALUMINIUM PTY LTD  
 PO Box 2182 Smithfield NSW 2164  
 185-187 Woodpark Rd Smithfield Australia  
 Tel +61 2 8787 7400 Fax +61 2 9725 2784  
 ullrich@ullrich.com.au www.ullrich.com.au

ULLRICH ALUMINIUM CO LTD  
 PO Box 98 843 SAMC  
 Manukau City 2240 New Zealand  
 Tel +64 9 262 6262 Fax +64 9 262 6265  
 alkalum@uacl.co.nz www.ullrich.co.nz

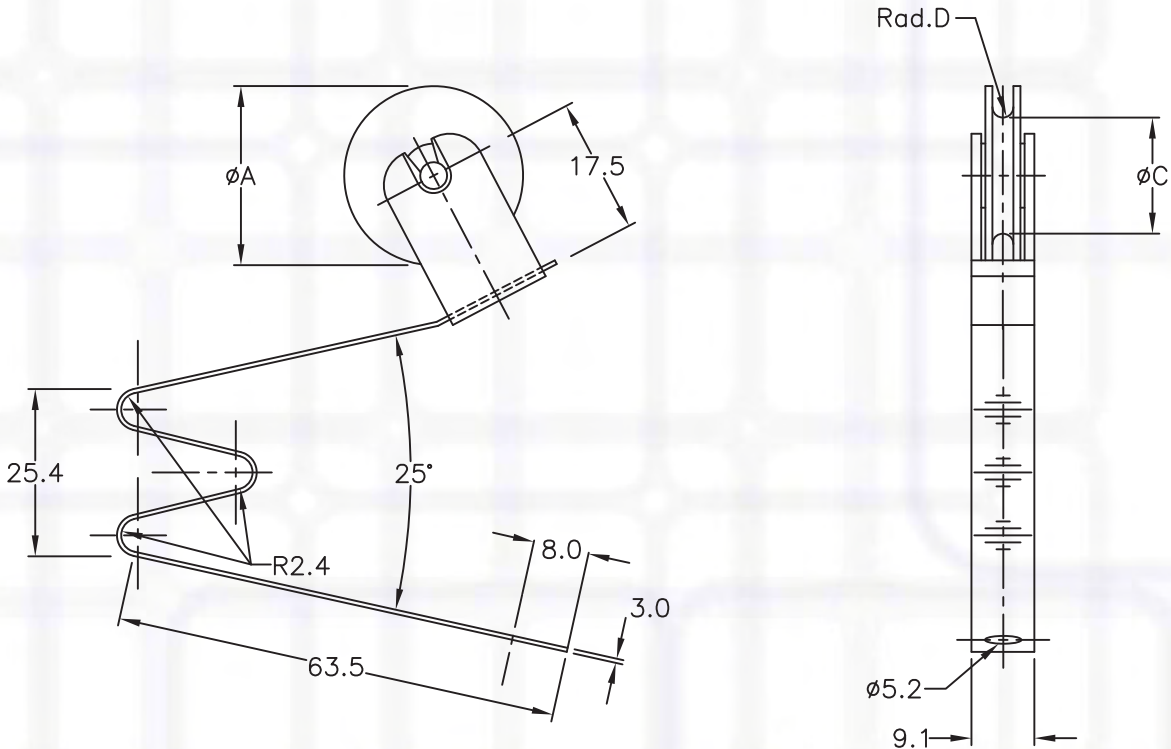




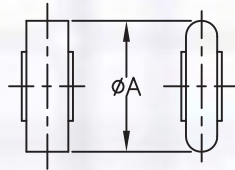




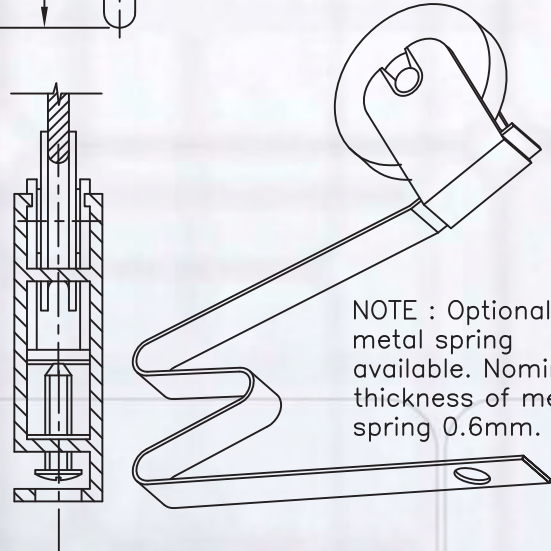
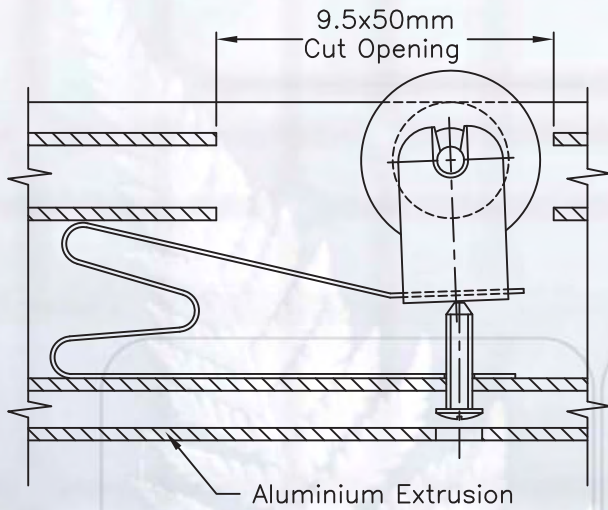




Alternative Wheel Shapes



Example Of Application

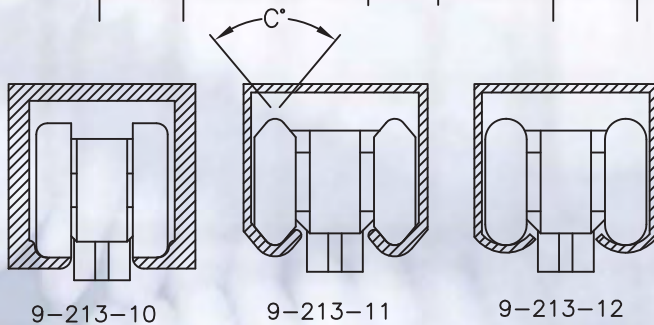
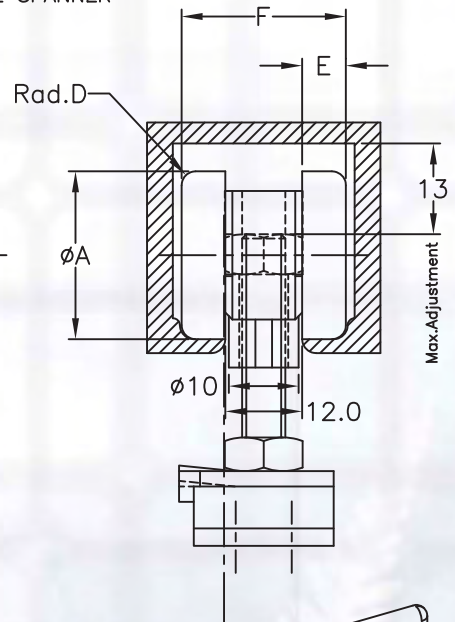
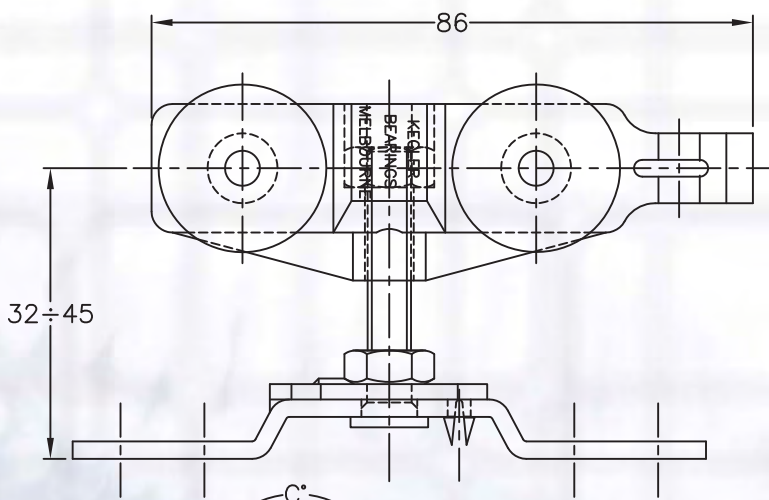
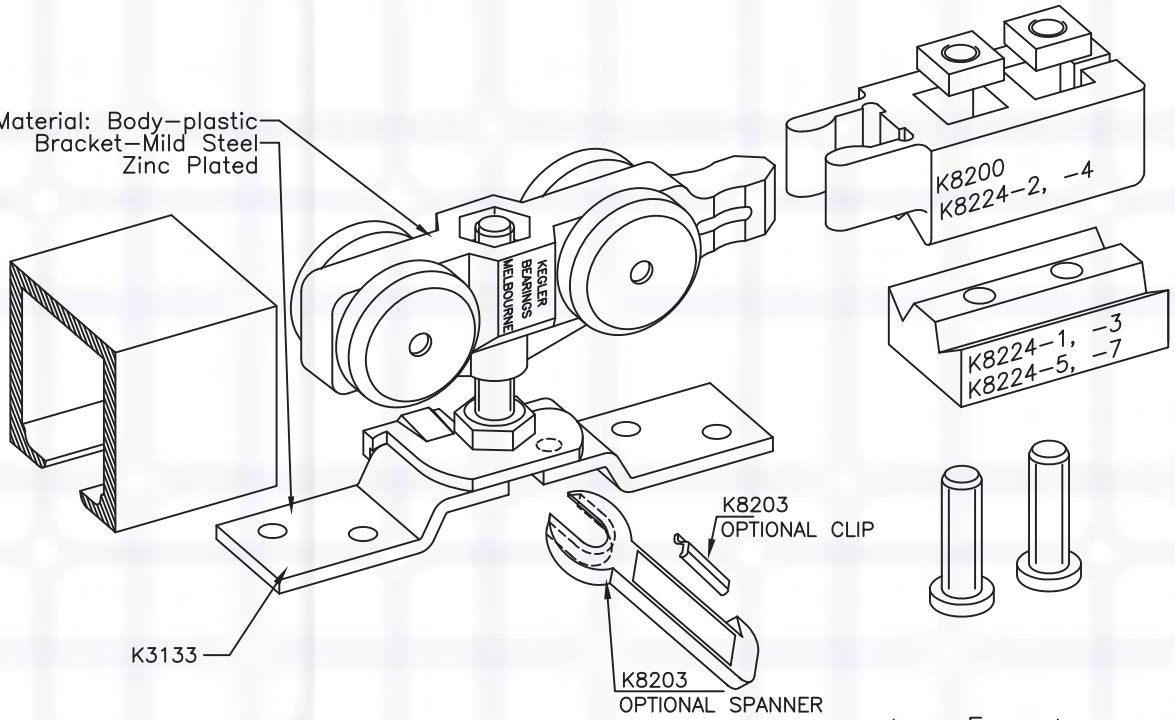


NOTE : Optional metal spring available. Nominal thickness of metal spring 0.6mm.

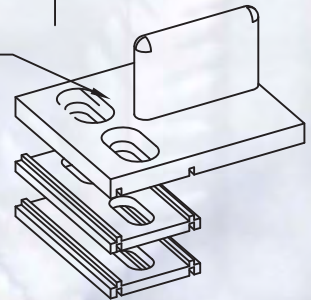
9-100-13	7200-240 Plastic Tyred Bearing Plastic Spring	10	24.0	—	19.8	1.6
9-100-12	K2014-2 Plastic Roller Plastic Spring	7	25.4	—	16.5	2.1
9-100-11	K2001-1 Plastic Roller Plastic Spring	7	22.2	—	—	—
9-100-10	K2001 Plastic Roller Plastic Spring	7	22.2	—	15.9	0.9
PART NO.	WHEEL NO. & DESCRIPTION	LD./KG.	A	B	C	D



Material: Body-plastic  
Bracket-Mild Steel  
Zinc Plated



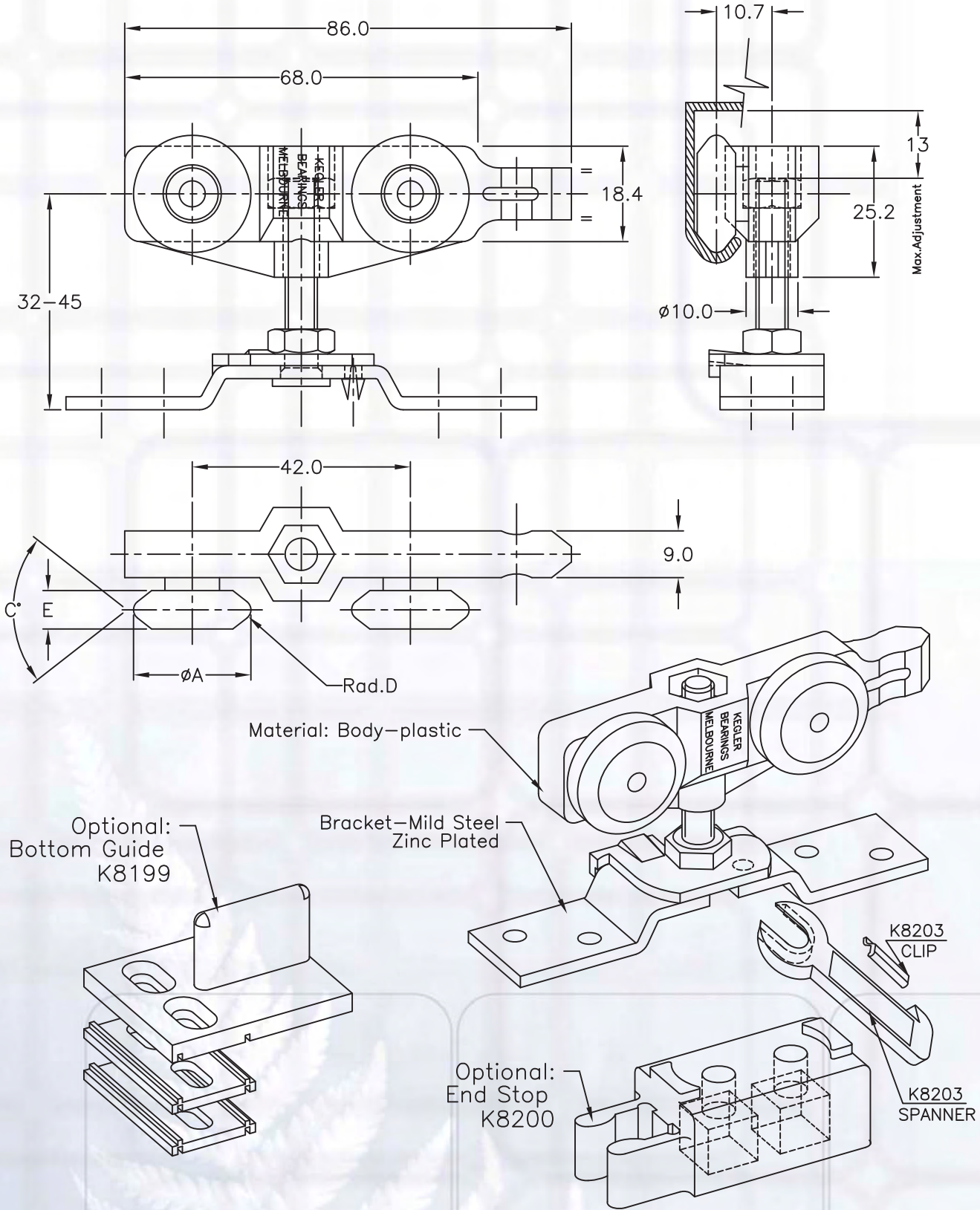
Optional:  
Bottom Guide  
K8199



9-213-13	5140-220 Plastic Tyred Ball Bearing	32.0	22.6	-	80°	2.0	7.4	27.8	
9-213-12	5140-201 Plastic Tyred Ball Bearing	32.0	18.5	-	-	3.0	5.5	24.3	
9-213-11	5140-220 Plastic Tyred Ball Bearing	32.0	22.6	-	80°	2.0	7.4	28.8	
9-213-10	K2095 Plastic Wheel, Needle Bearing	60.0	24.0	-	-	2.0	5.5	23.5	
PART NO.	WHEEL NO. & DESCRIPTION	LD./KG.	A	B	C	D	E	F	REMARKS

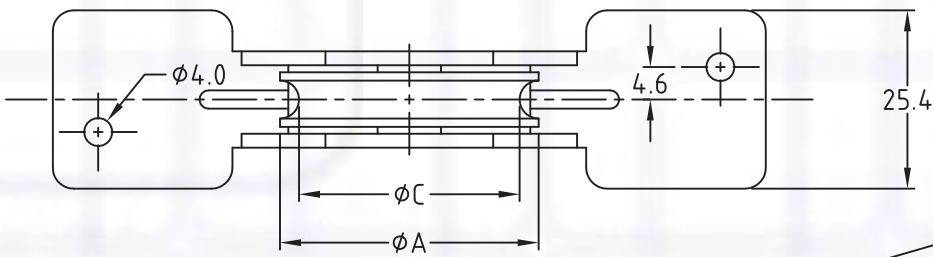
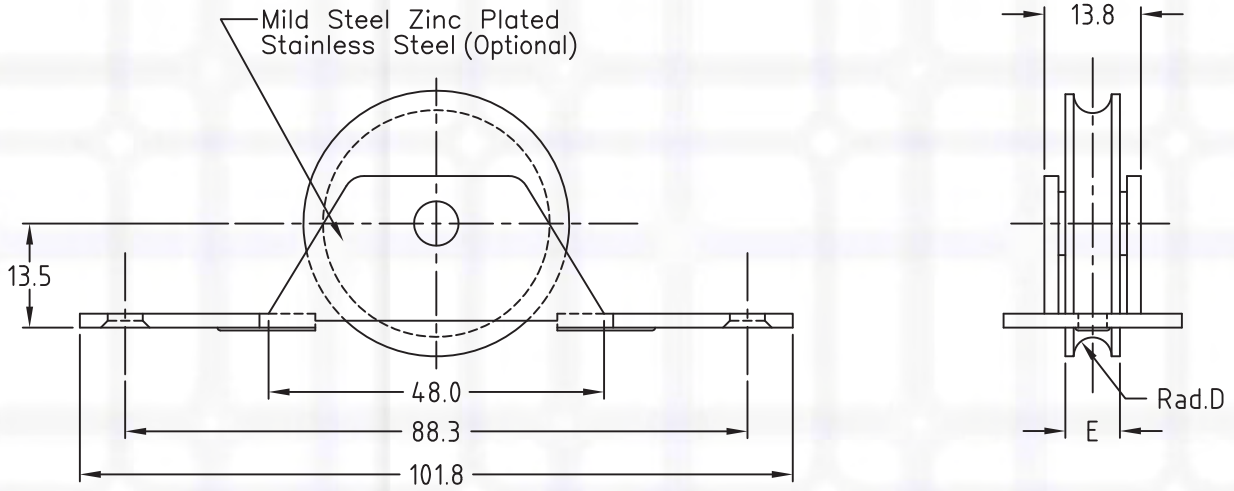




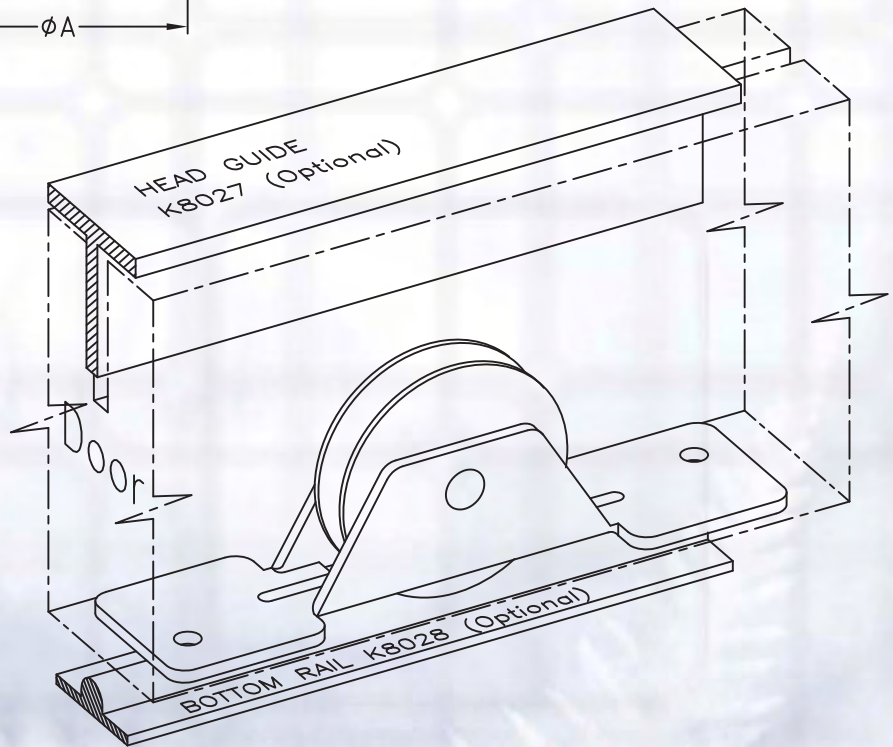
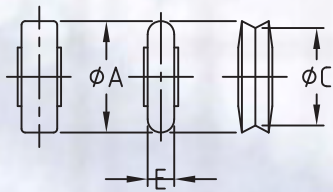


9-214-10	5140-220 Plastic Tyred Ball Bearing	16.0	22.6	-	80°	2.0	7.4		
PART NO.	WHEEL NO. & DESCRIPTION	LD./KG.	A	B	C	D	E		REMARKS





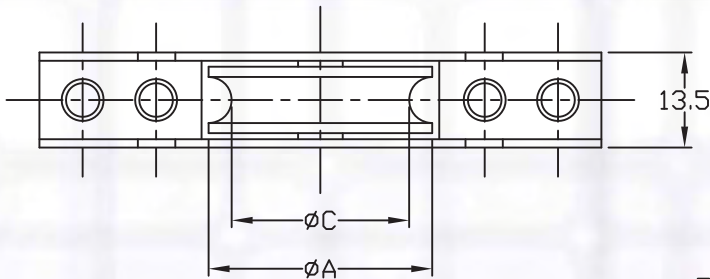
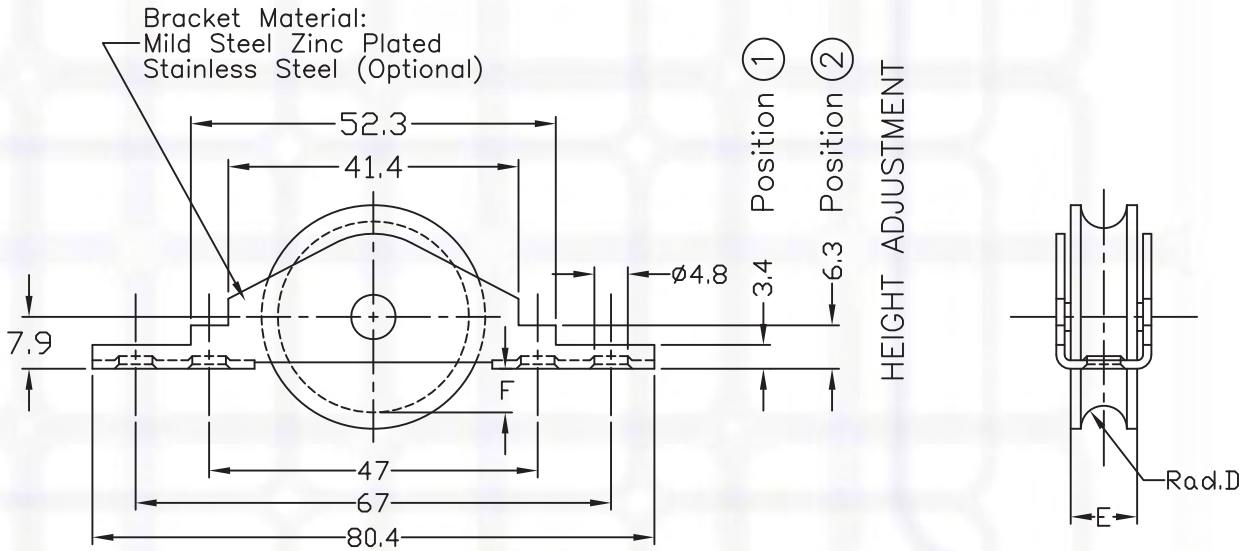
Alternative Wheel Shapes Available



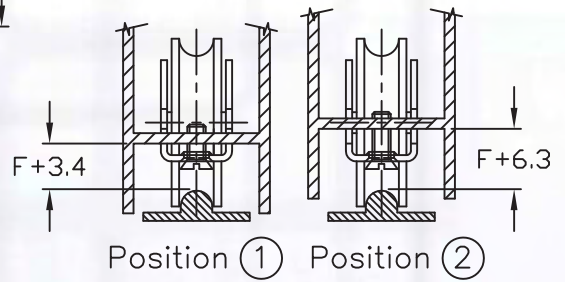
9-301-13	2200-350 Brass Tyred Bearing	38.0	35.2	-	29.4	3.0	8.1	
9-301-12	3200-350 St.Steel/Plastic Bearing	34.0	35.0	-	30.0	3.2	8.1	
9-301-11	3200-352 Brass/Plastic Bearing	Obsolete - now 9-301-13						
9-301-10	7200-382 Plastic Tyred Bearing	30.0	38.3	-	32.3	3.2	8.3	
PART NO.	WHEEL NO. & DESCRIPTION	LD/KG	A	B	C	D	E	REMARKS



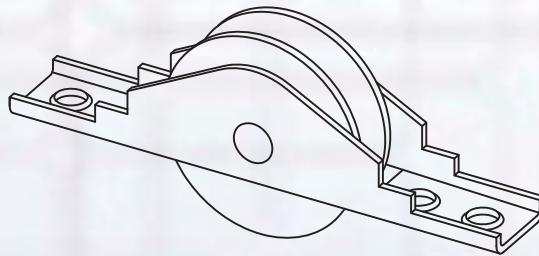
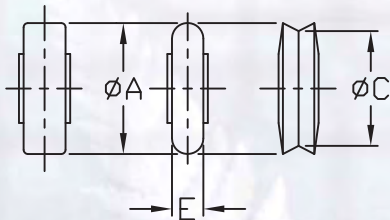




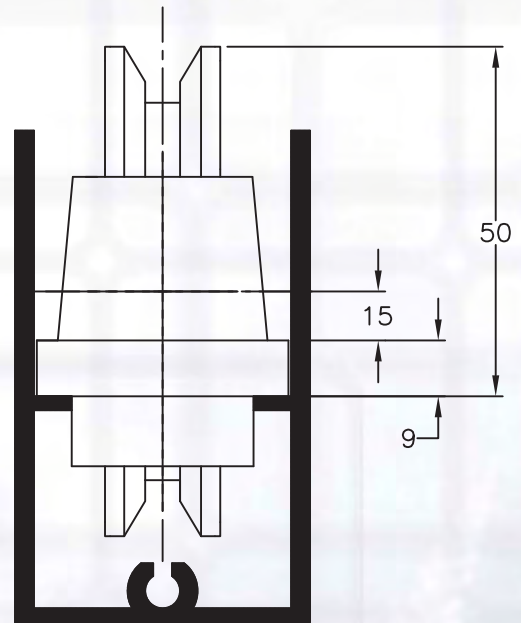
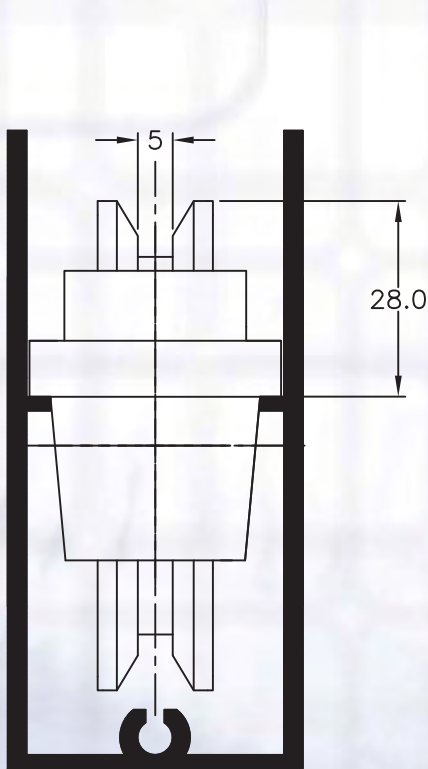
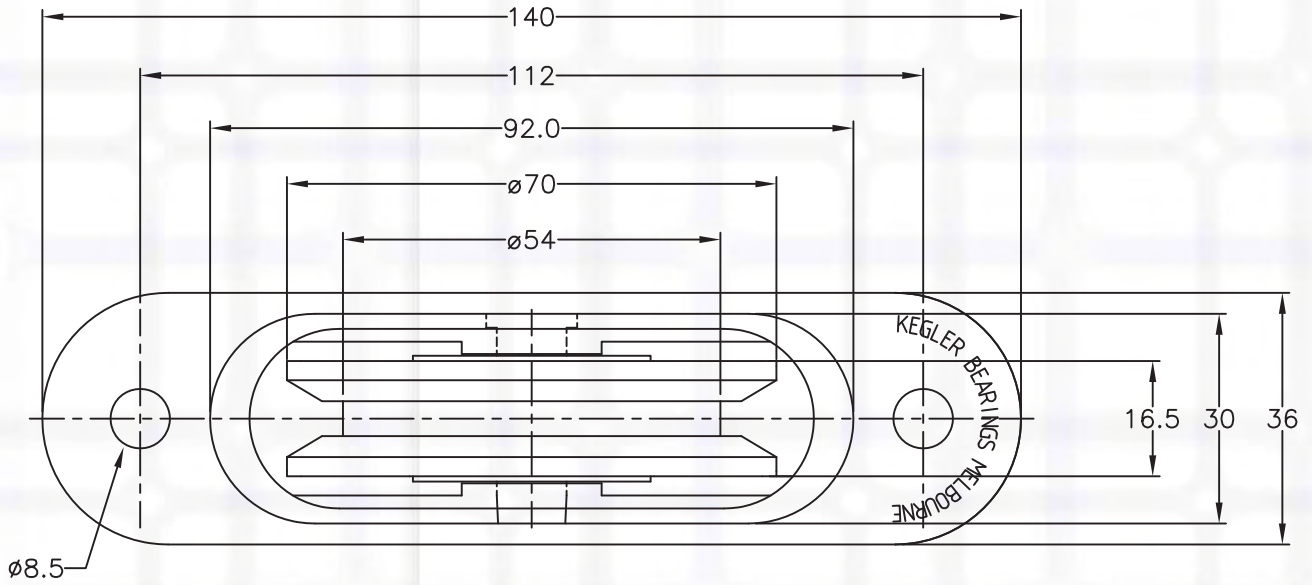
Example Of Application



Alternative Wheel Shapes Available

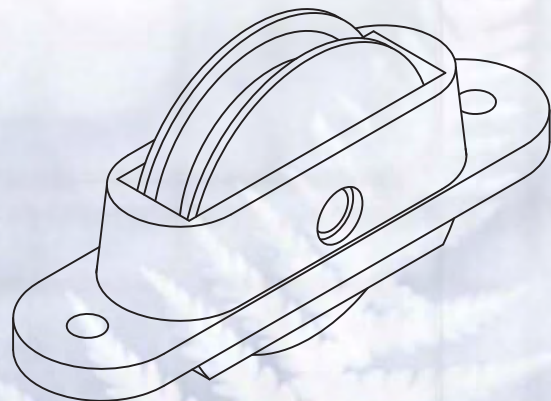


9-302-17	7200-324 Plastic Tyred Bearing.	35	32.0	-	25.7	3.85	8.1	5.0
9-302-16	K2015-28 Plastic Tyred Needle Brg.	35	32.0	-	25.7	3.85	8.1	5.0
9-302-15	2200-325 Brass Tyred Bearing	27	32.0	-	25.4	3.2	8.3	4.8
9-302-14	K2015-1 Plastic Roller	20	32.0	-	26.2	3.2	8.6	4.7
9-302-13	3200-350 St.Steel/Plastic Bearing	32	35.0	-	30.0	3.2	8.2	7.1
9-302-12	2200-350 Brass Tyred Bearing	30	35.0	-	29.4	3.0	8.1	7.1
9-302-11	7200-330 Plastic Tyred Bearing	26	33.0	-	27.0	3.5	9.3	5.6
9-302-10	7200-323 Plastic Tyred Bearing	25	32.0	-	25.0	2.9	8.4	4.6
PART NO.	WHEEL NO. & DESCRIPTION	LD/KG	A	B	C	D	E	F

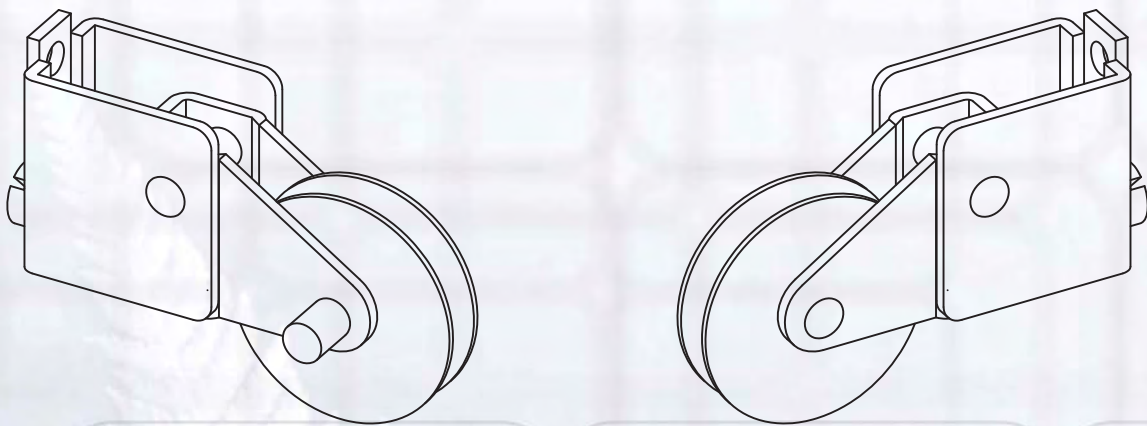
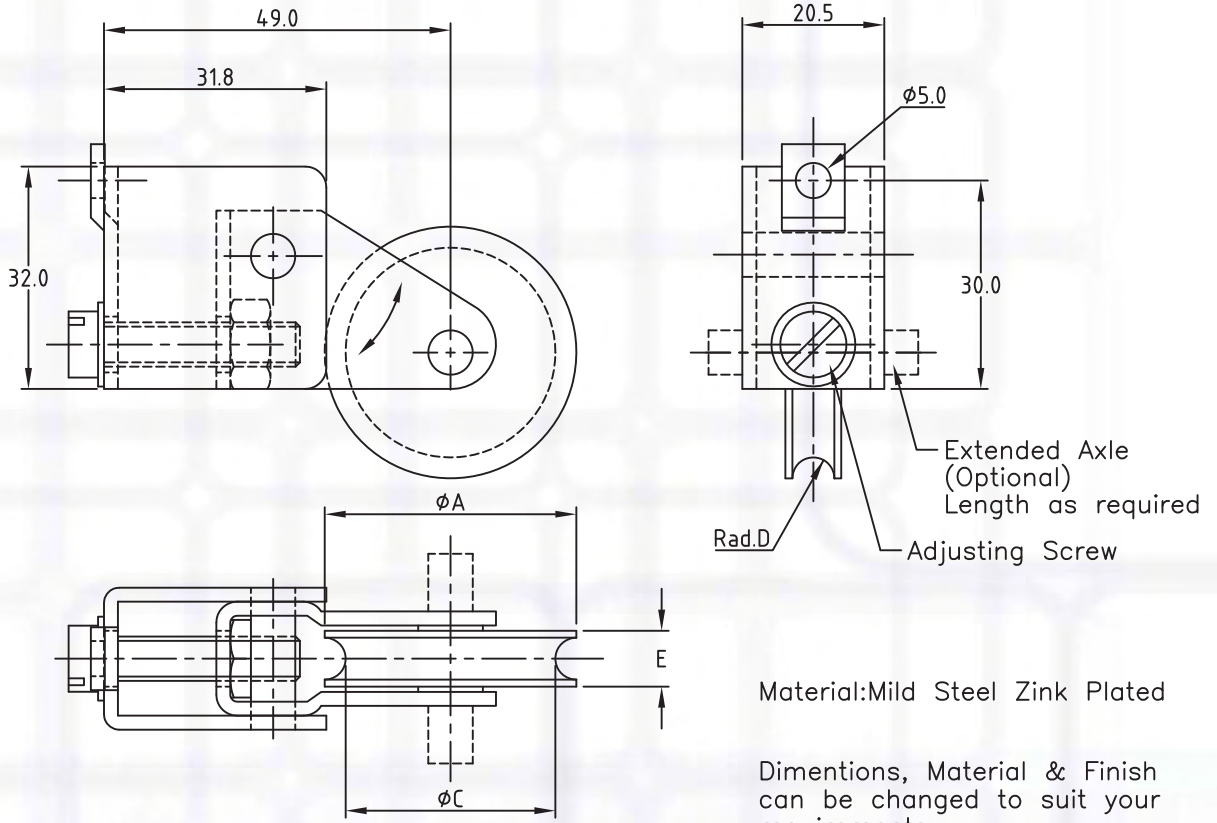


THIS UNIT IS REVERSIBLE  
AND CAN BE USED UP SIDE DOWN

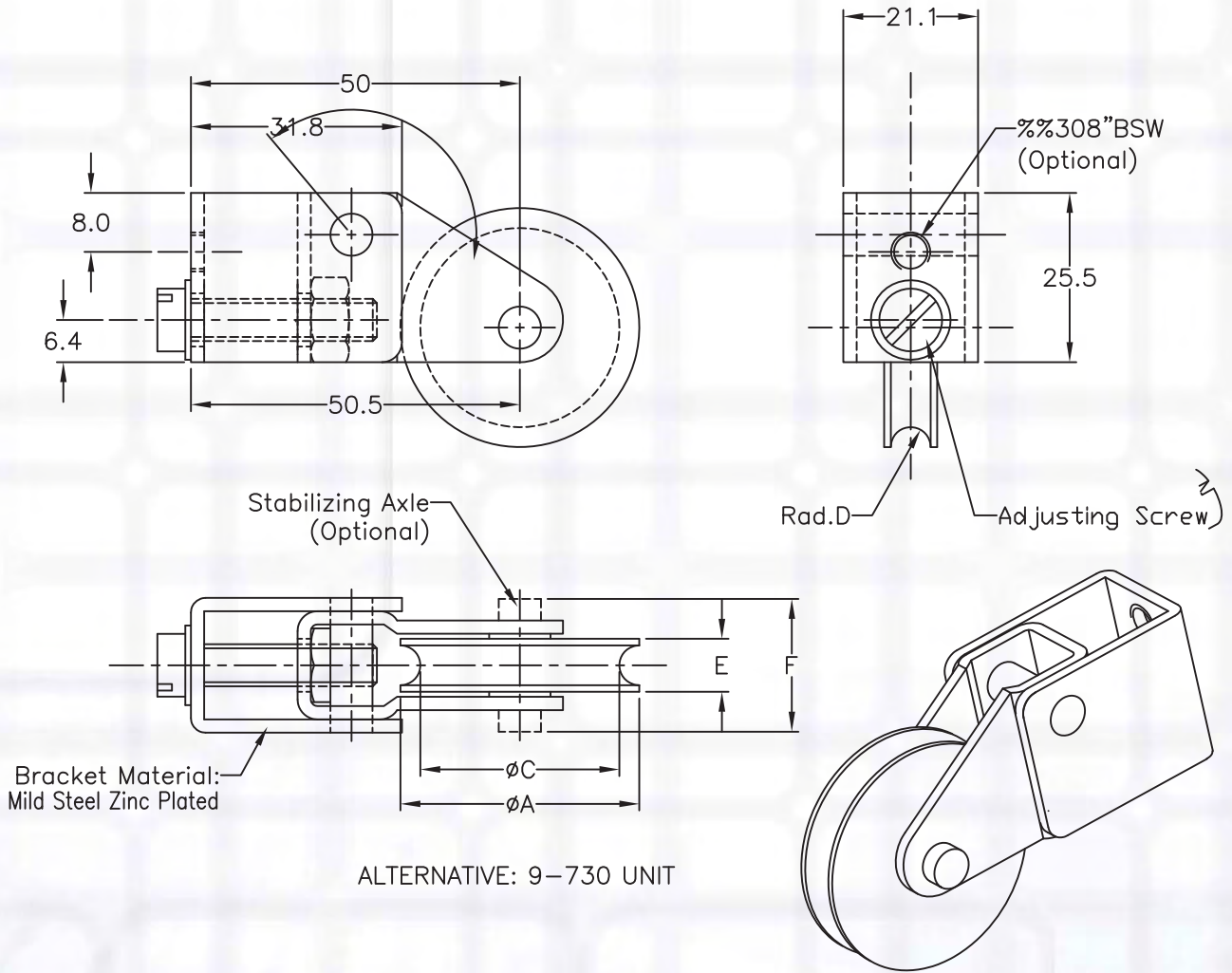
LOAD RATING: 150Kg







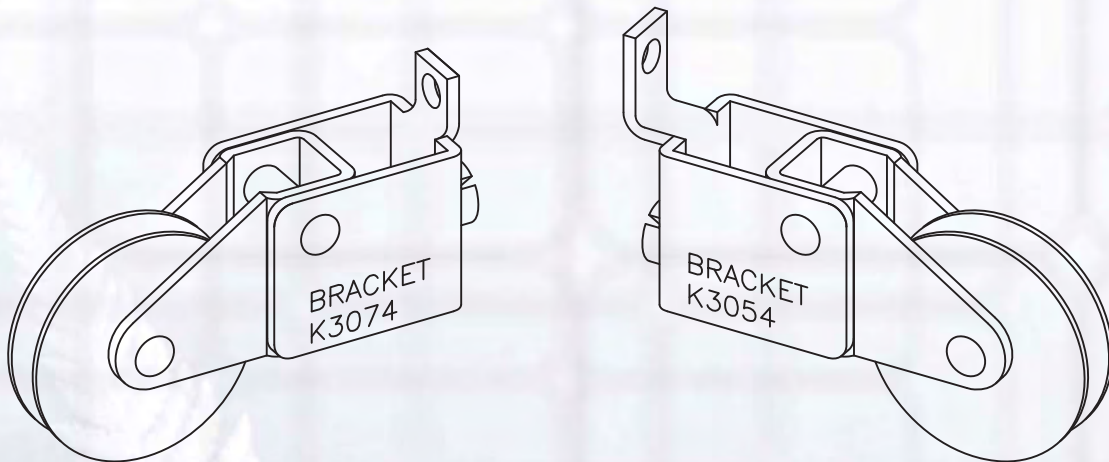
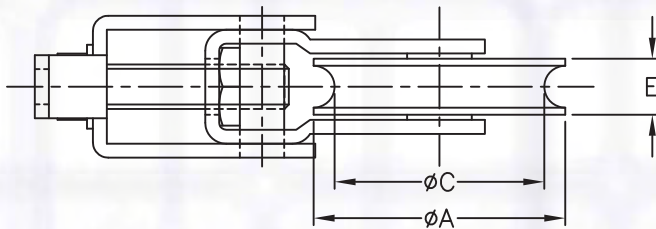
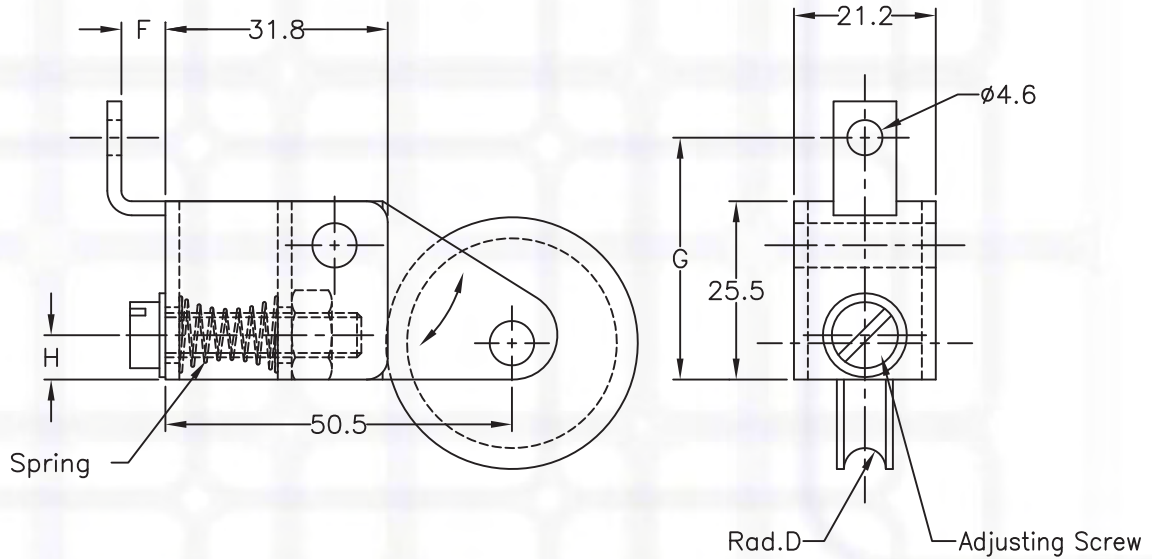
9-400-18	7200-330 Plastic Tyred Bearing	30	22.0	33.0	-	27.0	3.5	9.1	
9-400-16	7200-330 Plastic Tyred Bearing	30	24.4	33.0	-	27.0	3.5	9.1	
9-400-14	7200-361 Plastic Tyred Bearing	30	14.3	36.0	-	32.0	3.2	8.1	
9-400-13	7200-323 Plastic Tyred Bearing	25	14.3	32.0	-	25.6	3.2	8.3	
9-400-11	2200-350 Brass Tyred Bearing	35	14.3	35.0	-	29.2	3.2	8.3	
9-400-10	2200-325 Brass Tyred Bearing	35	14.3	32.0	-	25.4	3.2	7.9	
PART NO.	WHEEL NO. & DESCRIPTION	LD/KG	AXLE LENGTH	A	B	C	D	E	REMARKS



9-401-13	2200-322 Steel Tyred Bearing	30.0	32.0	-	26.2	3.6	8.3	-	
9-401-12	7200-323 Plastic Tyred Bearing	25.0	32.0	-	25.6	3.2	8.3	19.8	
9-401-11	7200-323 Plastic Tyred Bearing	25.0	32.0	-	25.6	3.2	8.3	-	
9-401-10	2200-325 Brass Tyred Bearing	30.0	32.0	-	25.4	3.2	7.9	-	
PART NO.	WHEEL NO. & DESCRIPTION	LD/KG	A	B	C	D	E	F	REMARKS

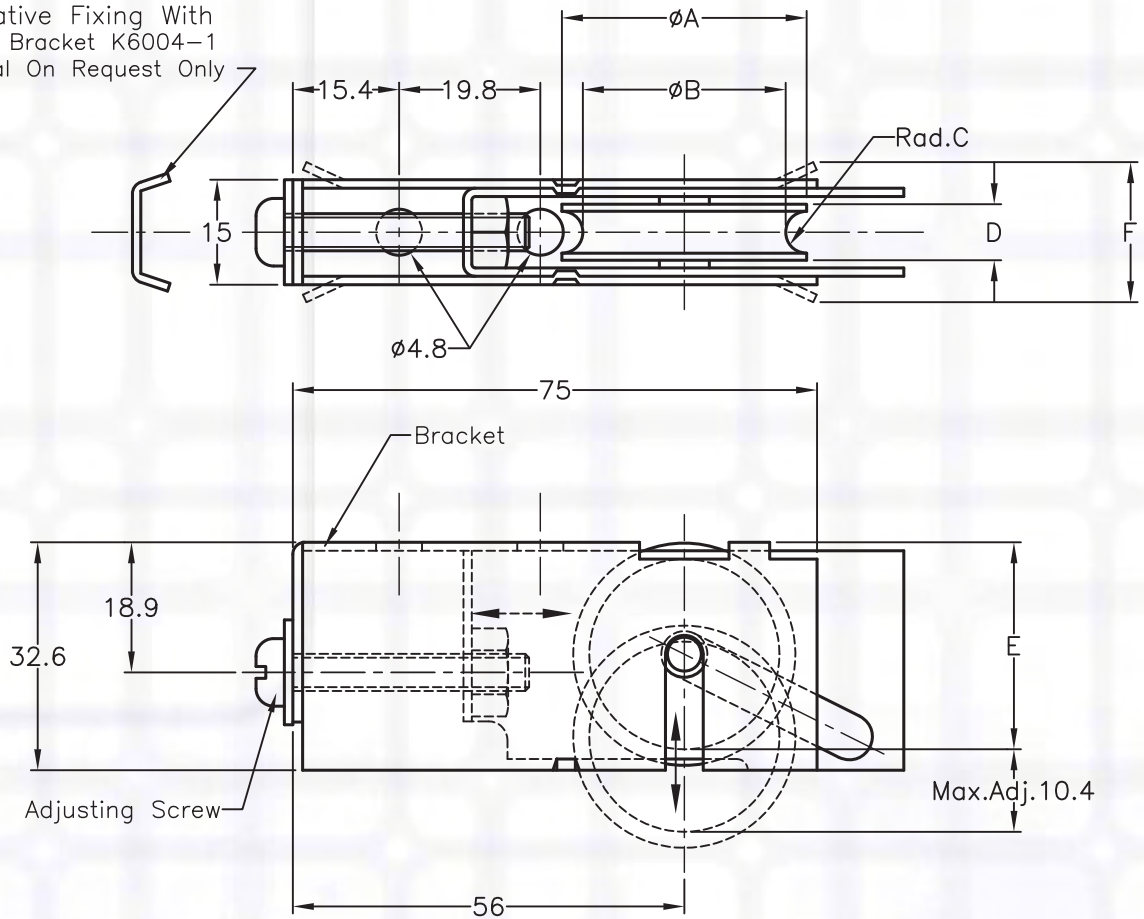




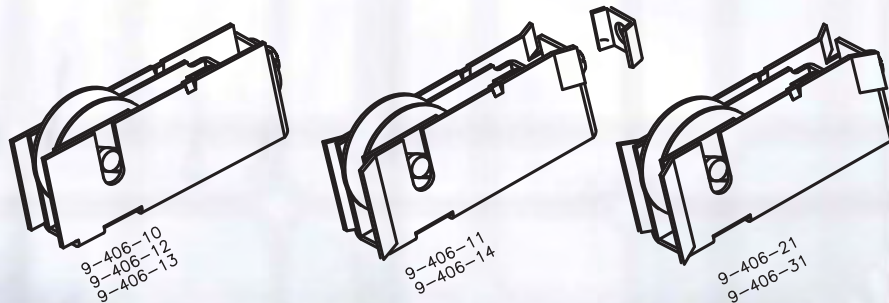


9-403-16	7200-361 Plastic Tyred Bearing	K3074	27.0	36.0	-	31.8	3.2	8.1	0.8	31.0	12.7	
9-403-15	7200-323 Plastic Tyred Bearing	K3054	25.0	32.0	-	25.0	3.2	8.3	6.3	34.0	6.7	
9-403-14	7200-361 Plastic Tyred Bearing	K3054	27.0	36.0	-	31.8	3.2	8.1	6.3	34.0	6.7	
9-403-13	7200-323 Plastic Tyred Bearing	K3074	25.0	32.0	-	25.0	3.2	8.3	0.8	31.0	12.7	
9-403-12	7200-331 Plastic Tyred Bearing	K3054	27.0	33.0	-	27.0	3.5	9.3	6.3	34.0	6.7	
9-403-11	Replaced by 9-403-15											
9-403-10	2200-325 Brass Tyred Bearing	K3054	30.0	32.0	-	25.4	3.2	7.9	6.3	34.0	6.7	
PART NO.	WHEEL NO. & DESCRIPTION	No	LD/KG	A	B	C	D	E	F	G	H	REMARKS

Alternative Fixing With Saddle Bracket K6004-1 Optional On Request Only



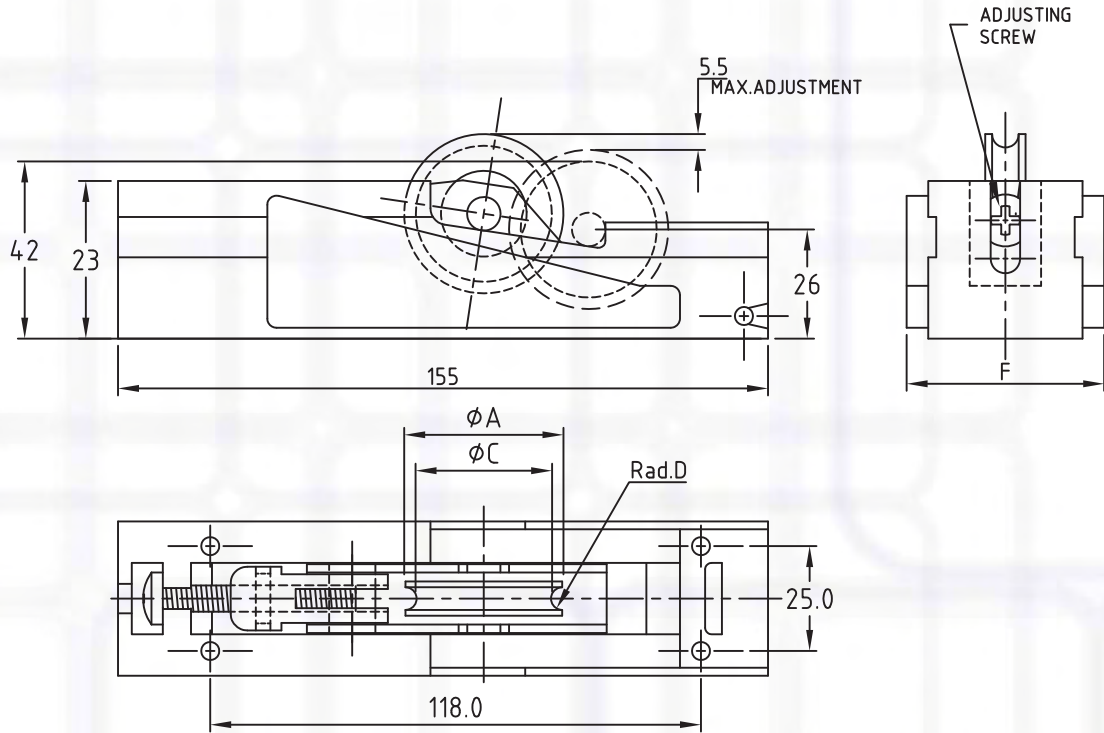
NOTE:  
Width 'F' can be altered to suit your application



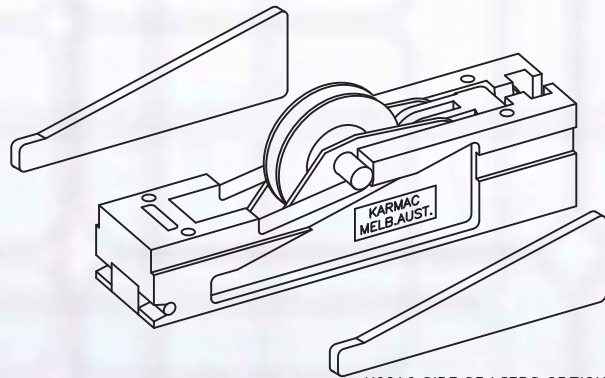
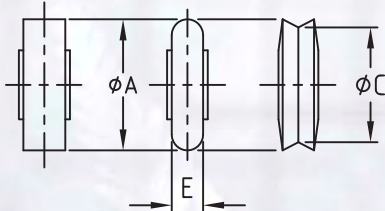
9-406-31	PLASTIC TYRED BEARING	32.0	32.0	27.2	3.4	8.2	29.3	39.7	17.5	ALUM.
9-406-21	PLASTIC TYRED BEARING	32.0	32.0	27.2	3.4	8.2	29.3	39.7	21.8	M.S. Z.P.
9-406-14	BRASS TYRED BEARING	40.0	35.0	27.2	3.0	8.2	32	42	17.5	M.S. Z.P.
9-406-13	STAINLES STEEL TYRED BEARING	40.0	32.0	27.2	3.0	8.2	29.3	39.7	15	M.S. Z.P.
9-406-12	BRASS TYRED BEARING	40.0	35.0	27.2	3.0	8.2	32	42	15	M.S. Z.P.
9-406-11	PLASTIC TYRED BEARING	32.0	32.0	27.2	3.4	8.2	29.3	39.7	17.5	M.S. Z.P.
9-406-10	PLASTIC TYRED BEARING	32.0	32.0	27.2	3.4	8.2	29.3	39.7	15	M.S. Z.P.
PART NO.	WHEEL NO. & DESCRIPTION	LD./KG.	A	B	C	D	E		F	BRKT. MAT.
							MIN.	MAX.		







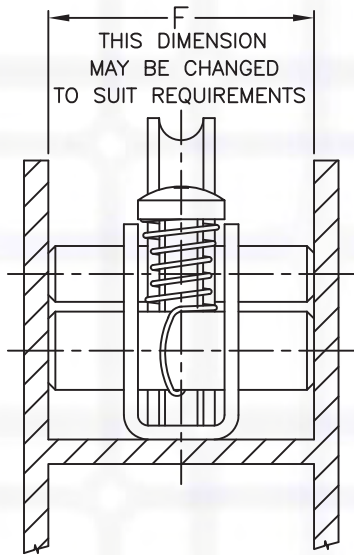
Alternative Wheel Shapes Available



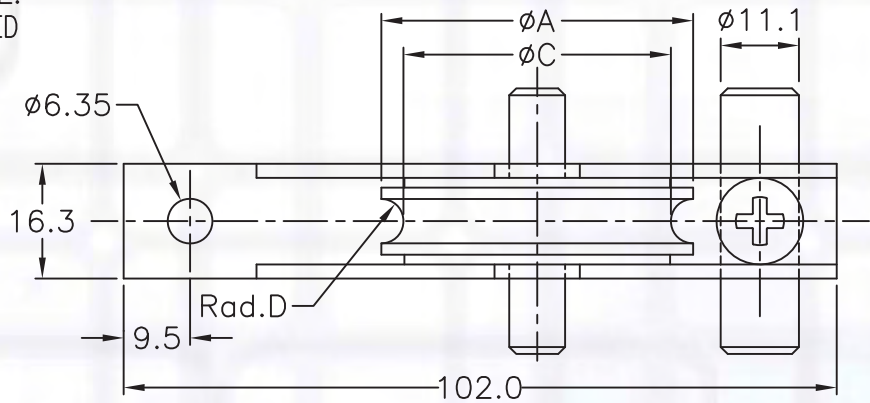
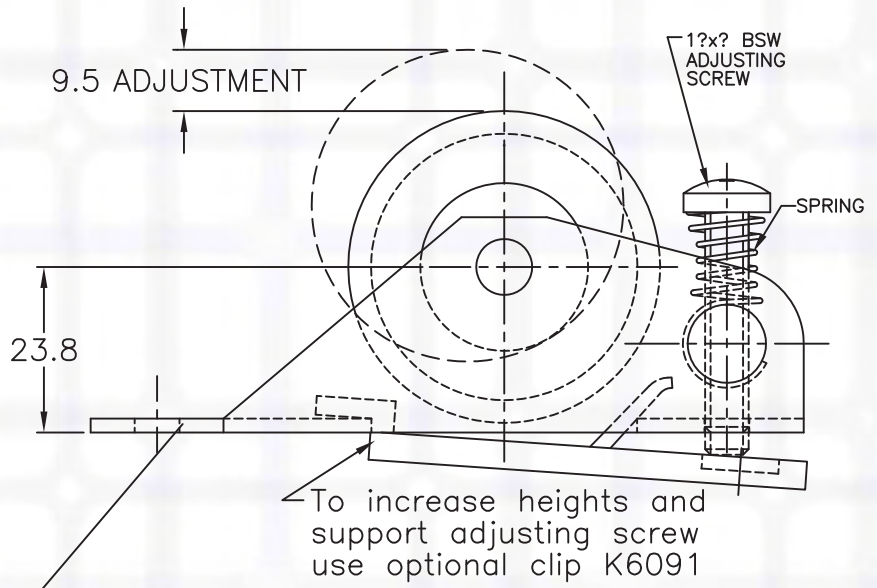
K8249 SIDE SPACERS OPTIONAL

9-407-22	609ZZ ST. ST. PREC. BRG. & COMPONENTS K2090-17 BRASS TYRE	115.0	38.1	—	31.8	3.3	11.5	47.6	K8249-1 SIDE PACKERS
9-407-21	609ZZ ST. ST. PREC. BRG. & COMPONENTS K2090-17 BRASS TYRE	115.0	38.1	—	31.8	3.3	11.5	39.2	K8249 SIDE PACKERS
9-407-20	609ZZ ST. ST. PREC. BRG. & COMPONENTS K2090-17 BRASS TYRE	115.0	38.1	—	31.8	3.3	11.5	36.8	NO SIDE PACKER
9-407-12	609ZZ PRECISION BEARING K2040-22 BRASS TYRE	115.0	38.1	—	31.8	3.3	11.5	47.6	K8249-1 SIDE PACKERS
9-407-11	609ZZ PRECISION BEARING K2040-22 BRASS TYRE	115.0	38.1	—	31.8	3.3	11.5	39.2	K8249 SIDE PACKERS
9-407-10	609ZZ PRECISION BEARING K2040-22 BRASS TYRE	115.0	38.1	—	31.8	3.3	11.5	36.8	NO SIDE PACKER
PART NO.	WHEEL NO. & DESCRIPTION	LD/KG	A	B	C	D	E	F	Remarks

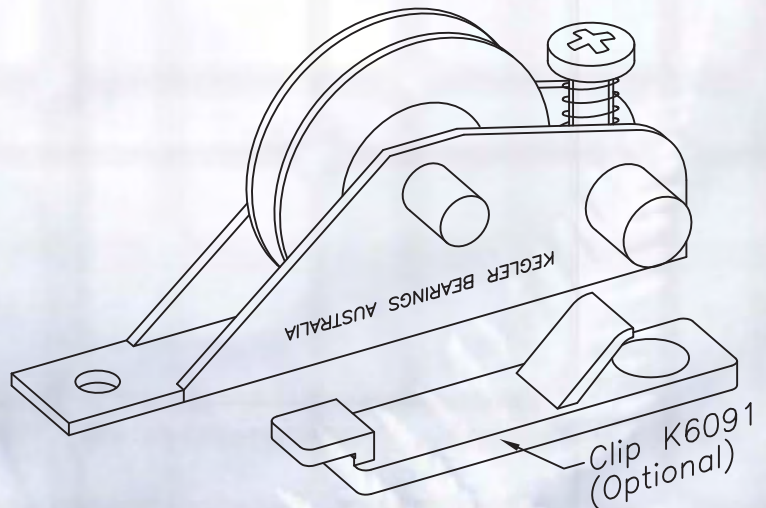
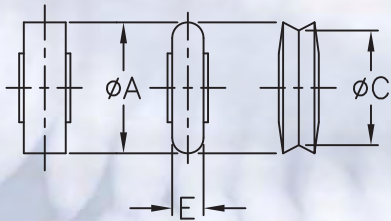




BRACKET MATERIAL:  
MILD STEEL ZINC PLATED



Alternative Wheel Shapes Available



9-501-13	609ZZ K2040-20	PRECISION BEARING BRASS TYRE	115.0	44.5	—	38.1	3.2	9.6	16.3
9-501-12	609ZZ K2075	PRECISION BEARING BRASS TYRE	115.0	38.2	—	—	—	11.6	20.6
9-501-11	609ZZ K2075	PRECISION BEARING BRASS TYRE	115.0	38.2	—	—	—	11.6	31.8
9-501-10	609ZZ K2040-20	PRECISION BEARING BRASS TYRE	115.0	44.5	—	38.1	3.2	9.6	38.1
PART NO.	WHEEL NO. & DESCRIPTION		LD./KG	A	B	C	D	E	F

