

# ULLRICH - ALUMINIUM LOUVRE SYSTEMS



QUALITY • SERVICE • INTEGRITY

	<b>PAGE</b>
Model UA 3101 / UA 3102	1
Model UA 1368	3
Model UA 1089	5
Model UA 1661	7
Model UA 1572	9
Model UA 3101 / UA 3102	11
Model UA 5354 / UA 6758	13
Options / Door Relief Grilles	15
Options / Aluminium Blades - Bladelock, Trimline, Naco	16
Louvres	17
Typical Fixing Details	20
Ullrich Naco Louvres	21
Ullrich Trimline Louvres	23
Ullrich Blade-Lok Louvres	25

**MODEL:**

UA 3101 & UA 3102

**APPLICATION:**

Industrial plantrooms, carparks, general ventilation and screening

**MATERIAL:**

All blades are extruded from 6000 series aluminium alloy.

All screws and rivets are stainless steel.

**FINISH:**

Louvre components can be supplied in either mill, anodised or powdercoated finish.

**SIZES:**

Can be manufactured to suit opening up to 6000mm high x 2000mm wide.

Width can be increased by adding stiffener bar.

(See fabrication drawing).

**TO SPECIFY:**

Louvres shall be Ullrich Aluminium model UA 3101 or UA 3102 complete with bird screen (as req'd), blade pitched to suit opening.

Finishing – see above.

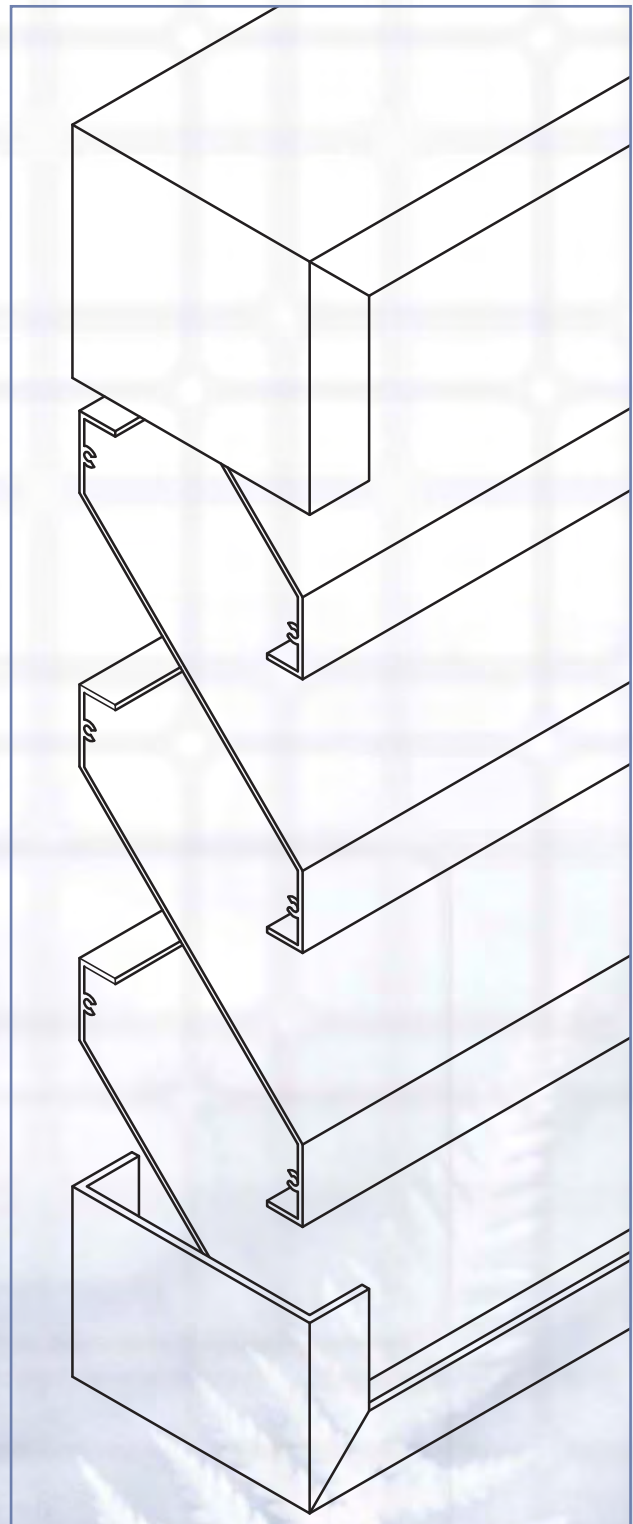
Installation shall be as per manufacturers recommendations.

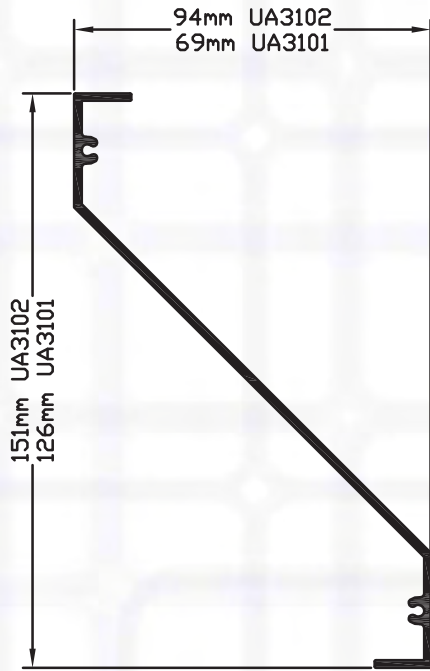
– For typical fixing details see page 20

**FREE AIR:**

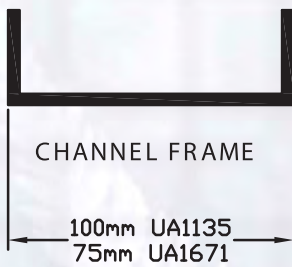
UA 3101 = 39%

UA 3102 = 39%





LOUVRE BLADE  
UA3101-69mm  
UA3102-94mm

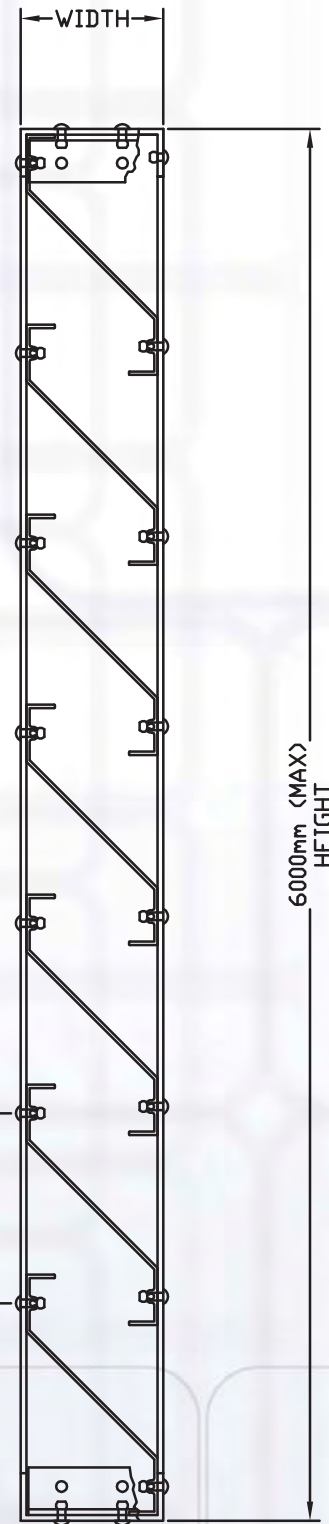


CHANNEL FRAME

TOP OF FRAME

100mm (MAX)  
PITCH

BOTTOM OF FRAME



**NOTE:**

- Pitch can be varied to suit height.
- Louvre blade can either be screw fixed or riveted.
- 2000mm max width.
- Width can be increased by using stiffener bar.  
See fabrication drawings.

For fabrication drawing details contact Ullrich Aluminium Sales.

**MODEL:**

UA 1368

**APPLICATION:**

Vertical screens, industrial, generally light applications.

**MATERIAL:**

All blades are extruded from 6000 series aluminium alloy.

All screws and rivets are stainless steel.

**FINISH:**

Louvre components can be supplied in either mill, anodised or powdercoated finish.

**SIZES:**

Can be manufactured to suit opening up to 6000mm high x 2000mm wide.

Width can be increased by adding stiffener bar.

(See fabrication drawing).

**TO SPECIFY:**

Louvres shall be Ullrich Aluminium model UA 1068 complete with bird screen (as required). Blade pitched to suit opening.

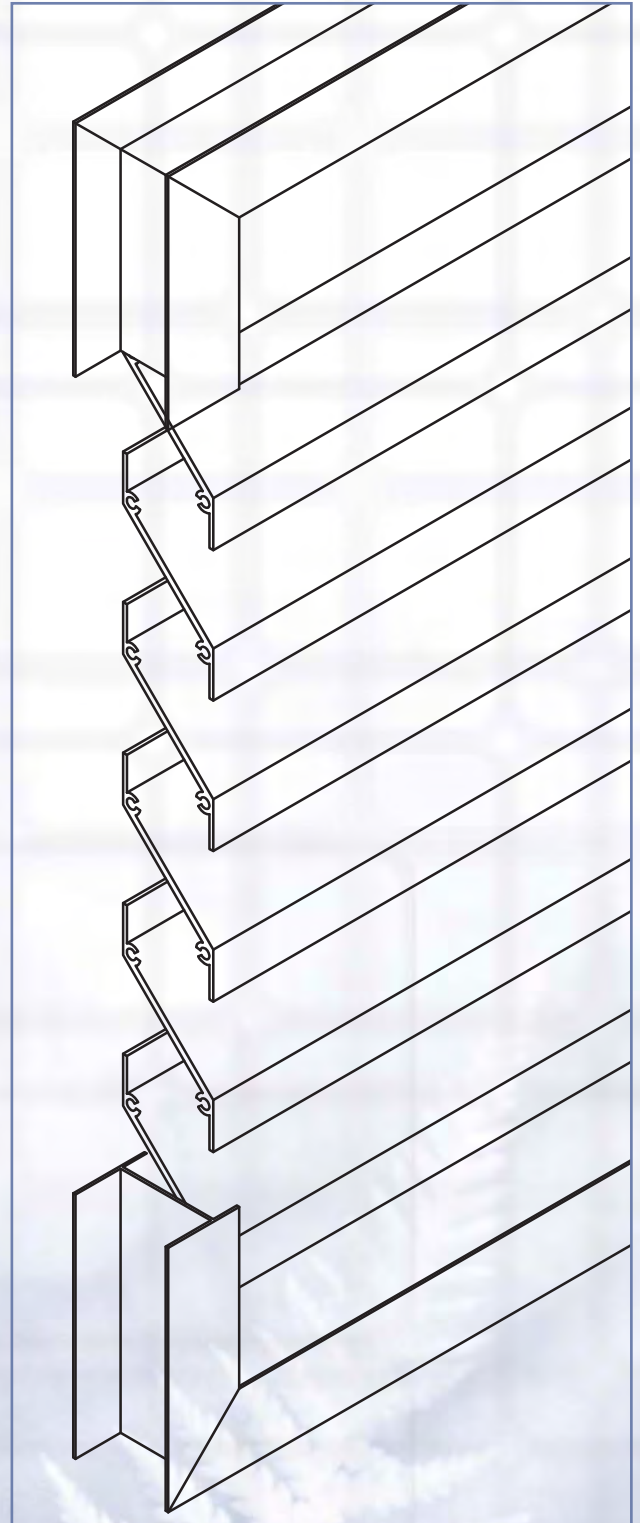
Finishing – see above.

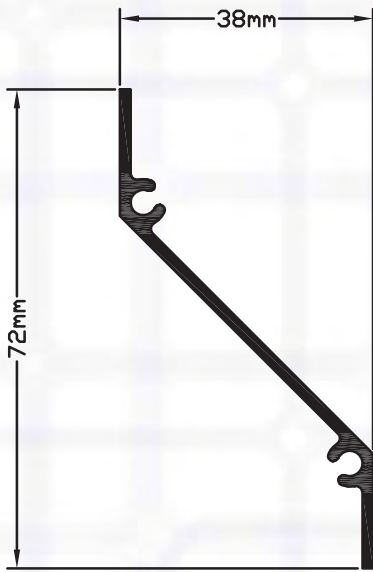
Installation shall be as per manufacturers recommendations.

– For typical fixing details see page 20

**FREE AIR:**

UA 1368 = 46%





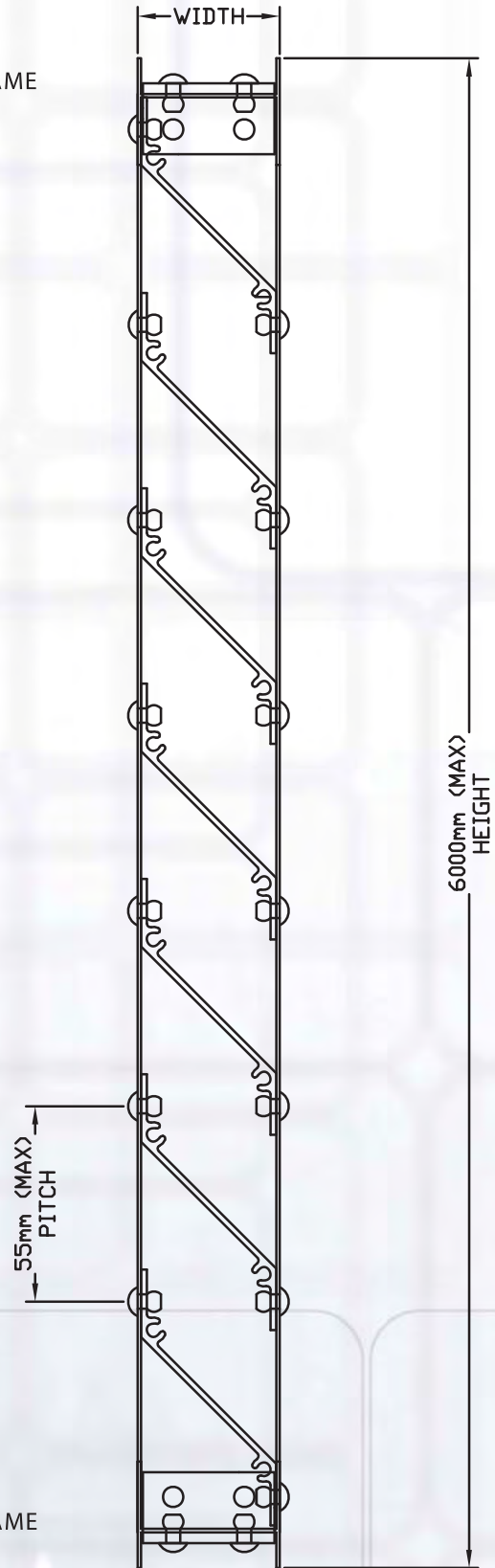
LOUVRE BLADE  
UA1368



'H' SECTION FRAME

40mm UA 1088  
or UA 2885

TOP OF FRAME



BOTTOM OF FRAME

**NOTE:**

- Pitch can be varied to suit height.
- Louvre blade can either be screw fixed or riveted.
- 2000mm max width.
- Width can be increased by using stiffener bar.  
See fabrication drawing

For fabrication drawing details contact Ullrich Aluminium Sales.

**MODEL:**

UA 1089

**APPLICATION:**

Vertical screens, industrial, general light applications.

**MATERIAL:**

All blades are extruded from 6000 series aluminium alloy.

All screws and rivets are stainless steel.

**FINISH:**

Louvre components can be supplied in either mill, anodised or powdercoated finish.

**SIZES:**

Can be manufactured to suit opening up to 6000mm high x 2000mm wide.

Width can be increased by adding stiffener bar.

(See fabrication drawing).

**TO SPECIFY:**

Louvres shall be Ullrich Aluminium model UA 1089 complete with bird screen (as req'd). Blade pitched to suit opening.

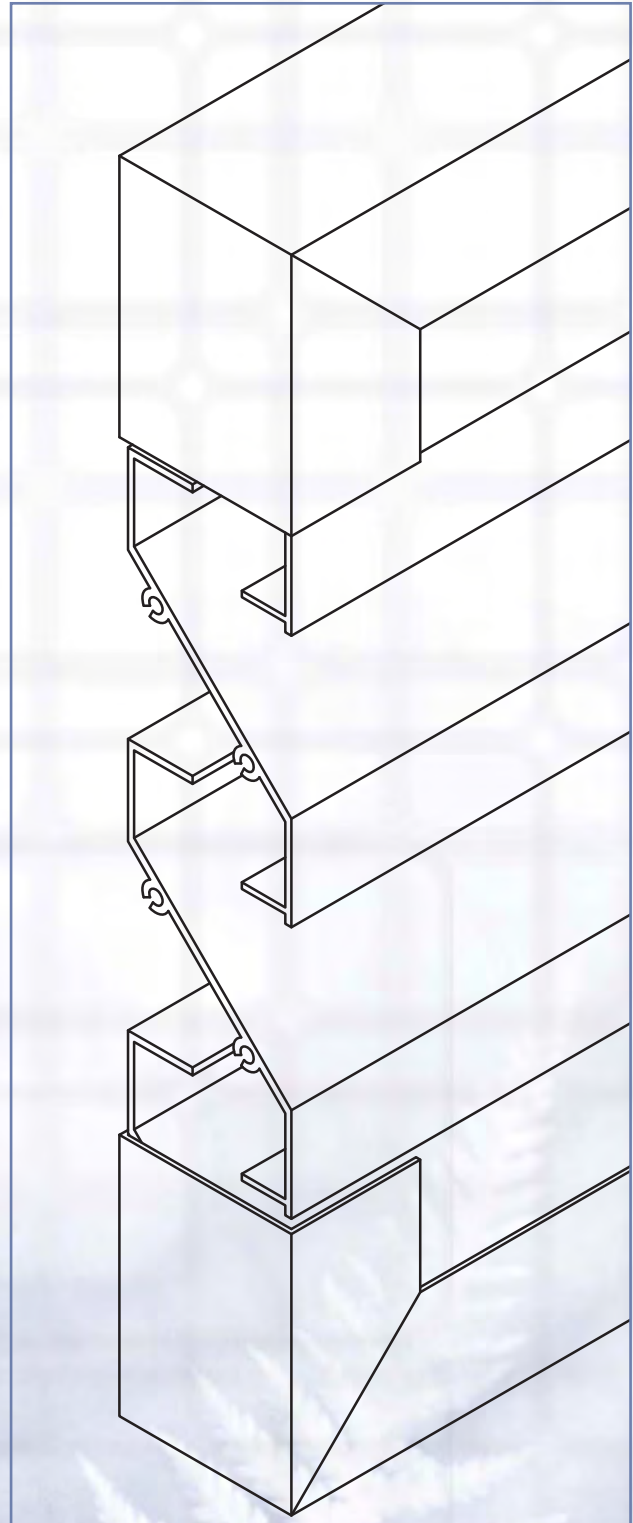
Finishing – see above.

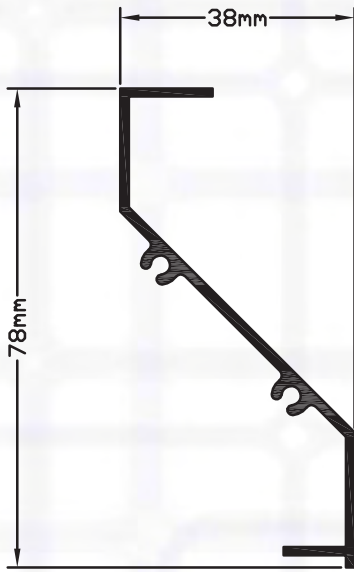
Installation shall be as per manufacturers recommendations.

– For typical fixing details see page 20

**FREE AIR:**

UA 1089 = 31%





LOUVRE BLADE  
UA1089

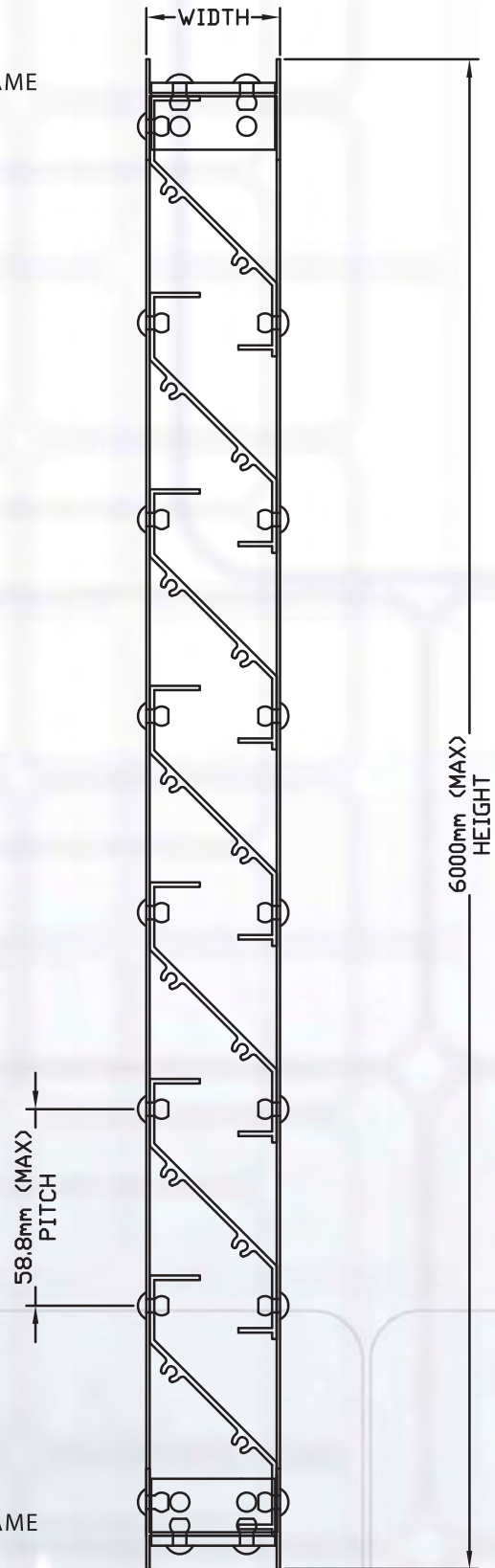


'H' SECTION FRAME

40mm UA 1088  
or UA 2885

TOP OF FRAME

BOTTOM OF FRAME



**NOTE:**

- Pitch can be varied to suit height.
- Louvre blade can either be screw fixed or riveted.
- 2000mm max width.
- Width can be increased by using stiffener bar.  
See fabrication drawing

For fabrication drawing details contact Ullrich Aluminium Sales.



**MODEL:**

UA 1661

**APPLICATION:**

Vertical screens, industrial, general light applications.

**MATERIAL:**

All blades are extruded from 6000 series aluminium alloy.

All screw or rivets are stainless steel.

**FINISH:**

Louvre components can be supplied in either mill, anodised or powdercoated finish.

**SIZES:**

Can be manufactured to suit opening up to 6000mm high x 2000mm wide.

Width can be increased by adding stiffener bar.

(See fabrication drawing).

**TO SPECIFY:**

Louvres shall be Ullrich Aluminium model UA 1661 complete with bird screen (as req'd). Blade pitched to suit opening.

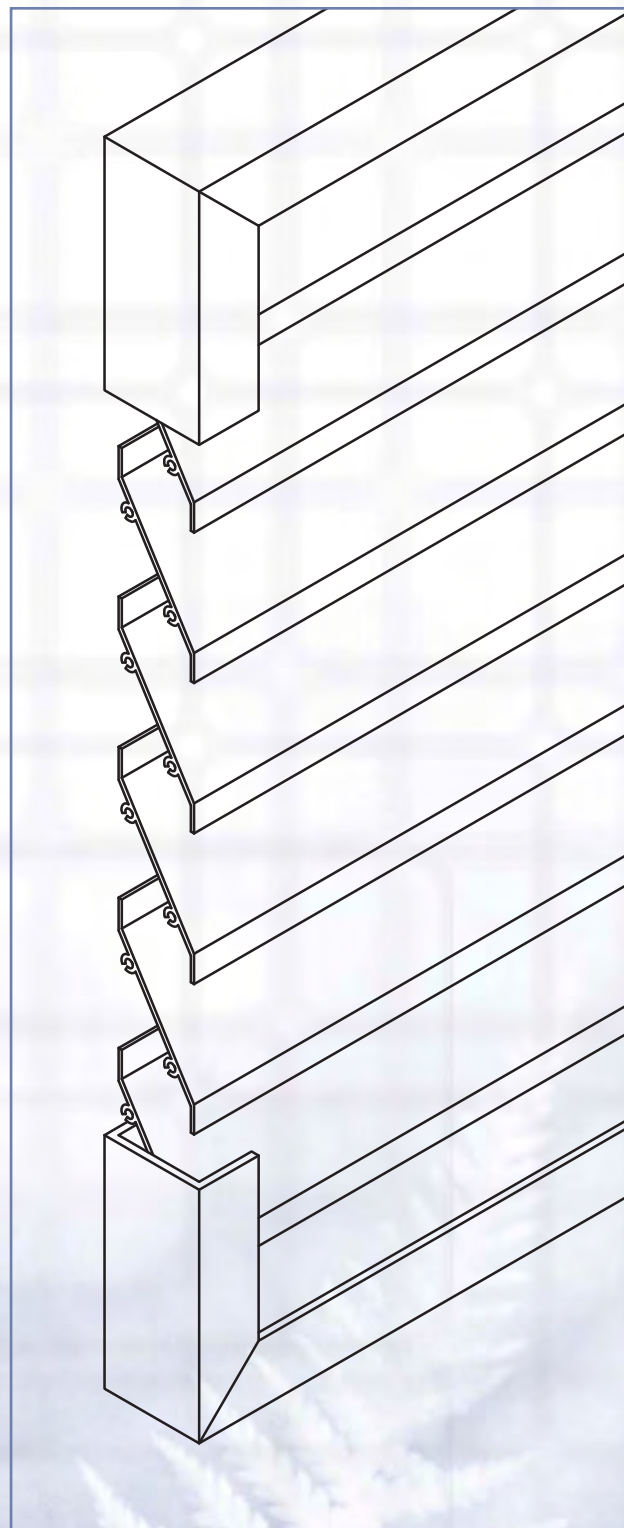
Finishing – see above.

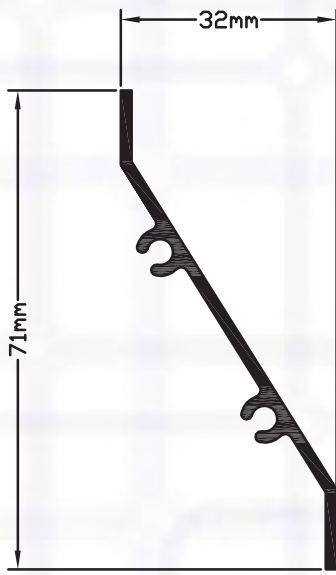
Installation shall be as per manufacturers recommendations.

– For typical fixing details see page 20

**FREE AIR:**

UA 1661 = 35%





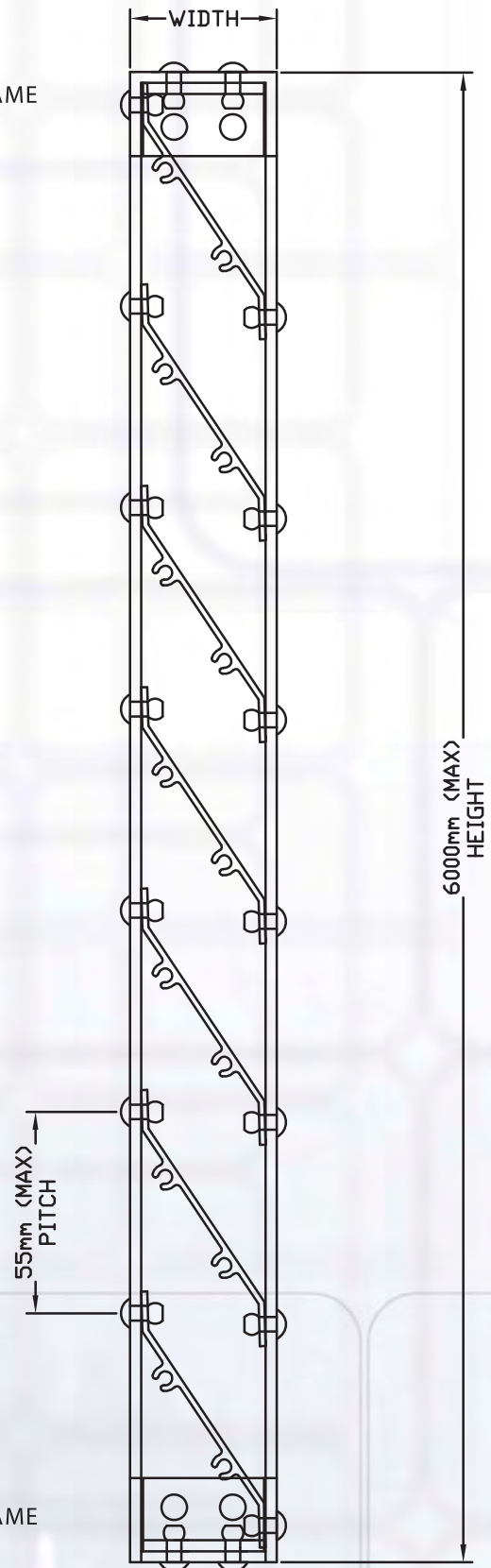
LOUVRE BLADE  
UA1661



CHANNEL FRAME

40mm UA1655

TOP OF FRAME



BOTTOM OF FRAME

**NOTE:**

- Pitch can be varied to suit height.
- Assemble louvre with either screw or rivet fixing.
- 2000mm max width.
- To increase width from 2000mm use stiffening bar. See drawing.

For fabrication drawing details contact Ullrich Aluminium Sales.

**MODEL:**  
UA1572

**APPLICATION:**  
Vertical screens – sun/wind protection only.

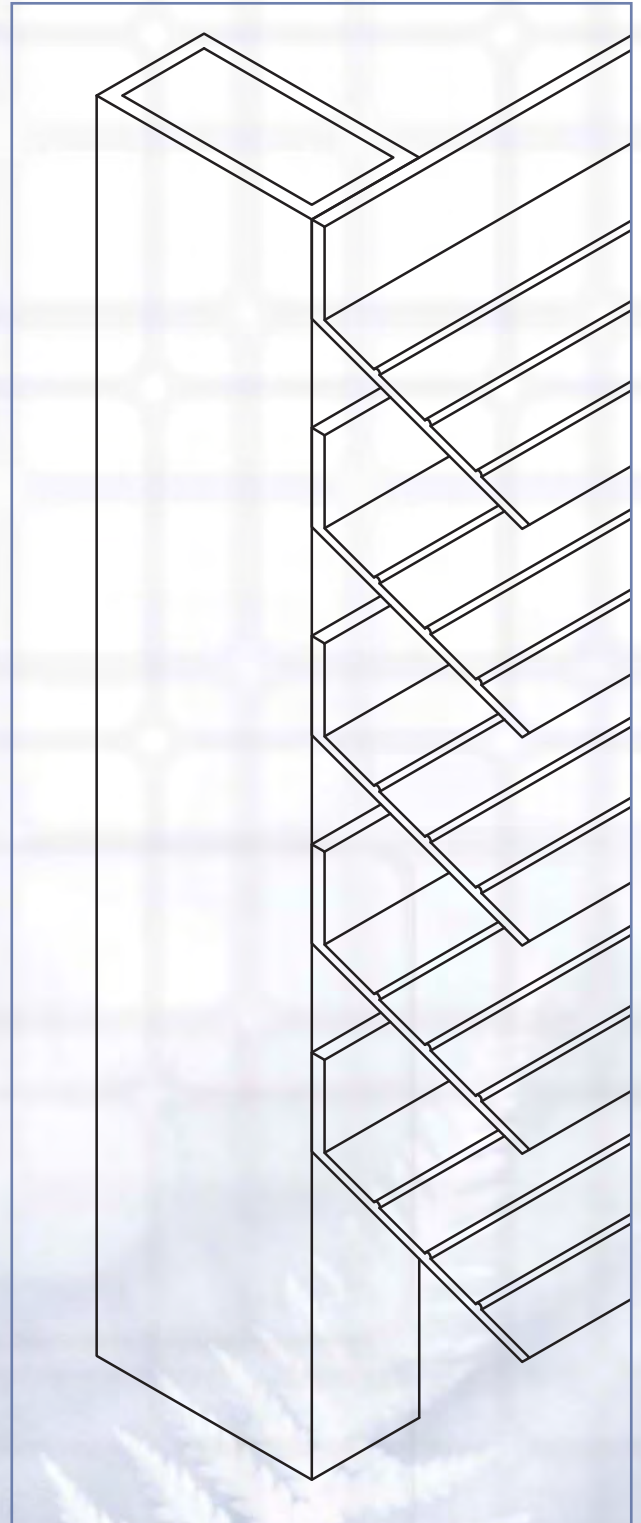
**MATERIAL:**  
All blades are extruded from 6000 series aluminium alloy.  
All screws and rivets are stainless steel.

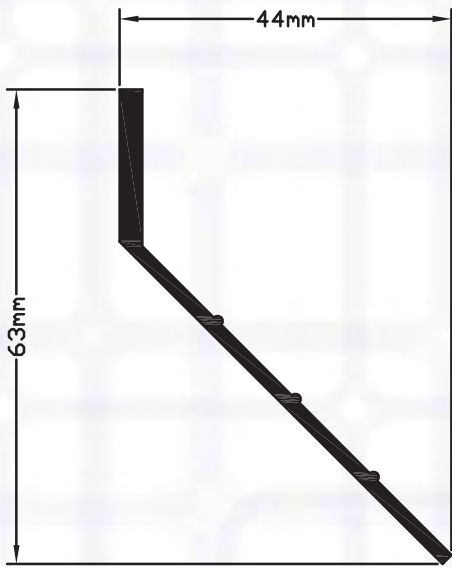
**FINISH:**  
Louvre components can be supplied in either mill, anodised or powdercoated finish.

**SIZES:**  
Can be manufactured to suit opening up to 6000mm high x 2000mm wide.

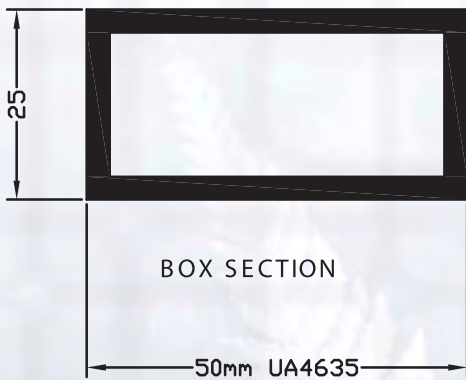
**TO SPECIFY:**  
Louvres shall be Ullrich Aluminium model UA 1572.  
Blade pitched to suit opening.  
Finishing – see above.  
Installation shall be as per manufacturers recommendations.  
– For typical fixing details see page 20

**FREE AIR:**  
UA 1572 = 33%

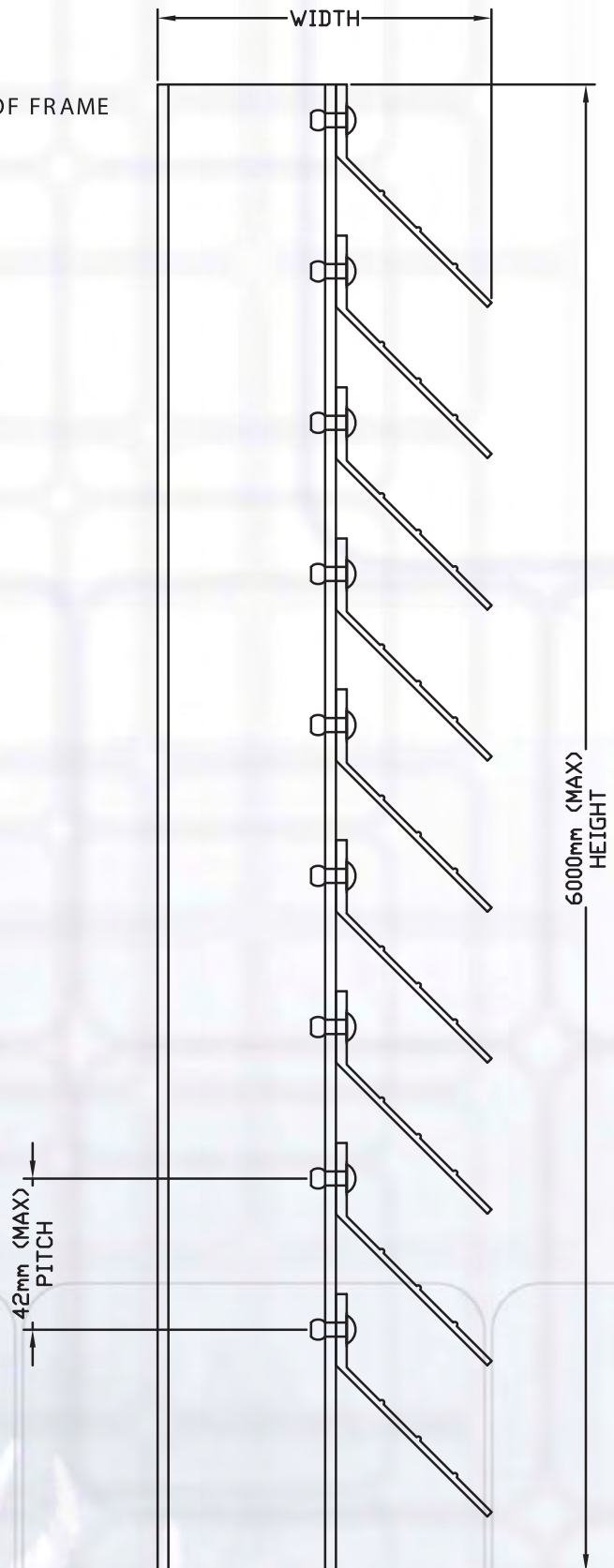




LOUVRE BLADE  
UA1572



TOP OF FRAME



**NOTE:**

- Pitch can be varied to suit height.
- Louvre blade can either be screw fixed or riveted.
- 2000mm max width.

For fabrication drawing details contact Ullrich Aluminium Sales.

**MODEL:**

UA 3101 & UA 3102

**APPLICATION:**

General ventilation and screening not suitable for heavy rain areas.

**MATERIAL:**

All blades are extruded from 6000 series aluminium alloy.

All screws and rivets are stainless steel.

**FINISH:**

Louvre components can be supplied in either mill, anodised or powdercoated finish.

**SIZES:**

Can be manufactured to suit opening up to 6000mm high x 2000mm wide.

Width can be increase by adding stiffener bar.  
(See fabrication drawing).

**TO SPECIFY:**

Louvres shall be Ullrich Aluminium model UA 3101 or UA 3102. Complete with bird screen (as req'd).  
Blade pitched to suit opening.

Finishing – see above.

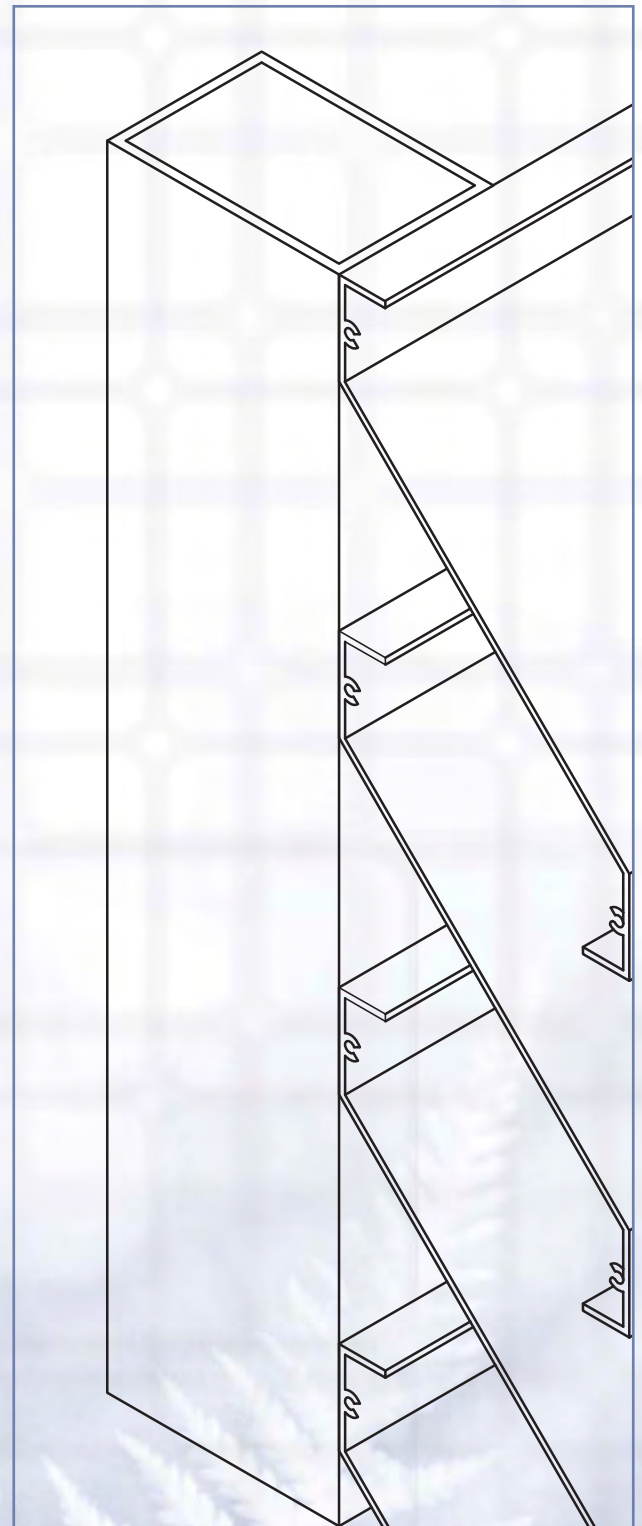
Installation shall be as per manufacturers recommendations.

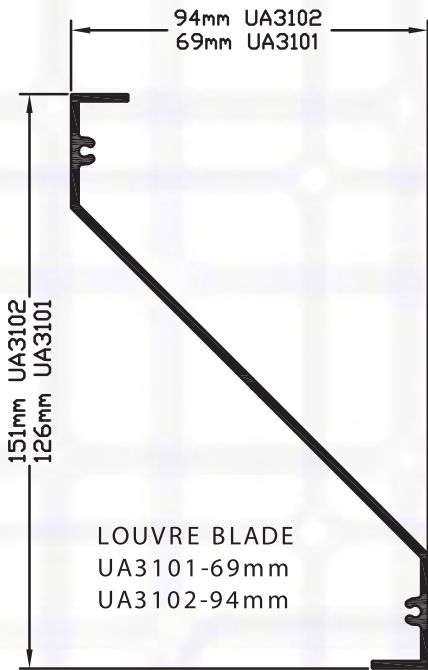
– For typical fixing details see page 20

**FREE AIR:**

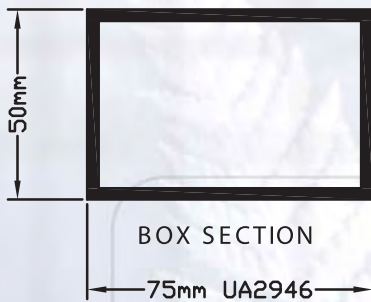
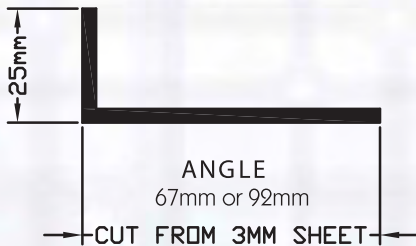
UA 3101 = 31%

UA 3102 = 42%

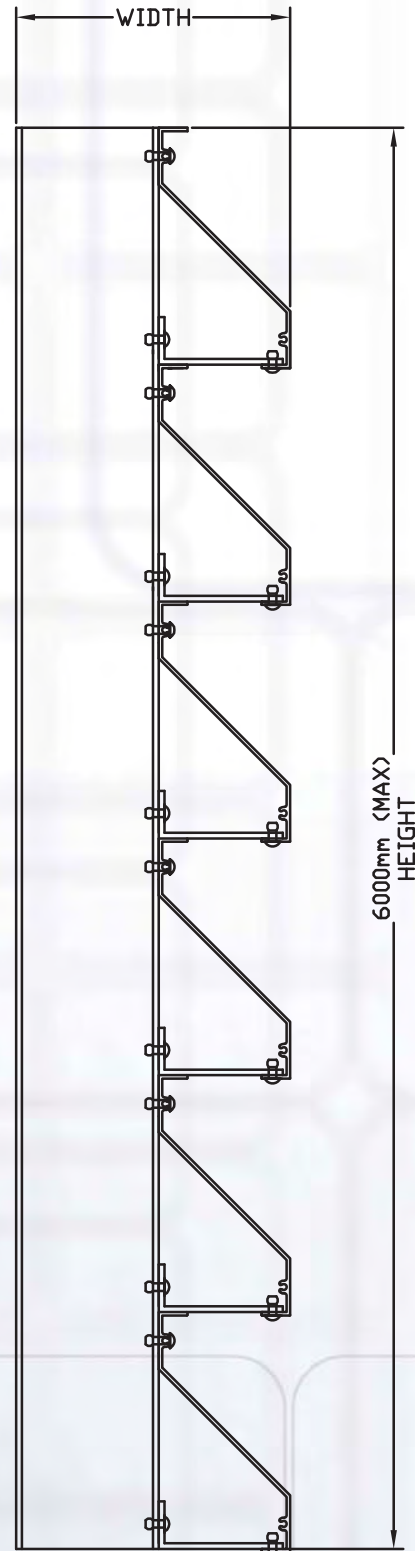




TOP OF FRAME



BOTTOM OF FRAME



**NOTE:**

- Pitch can be varied to suit height.
- Louvre blade can either be screw fixed or riveted.
- 2000mm max width.
- Width can be increased by using stiffener bar.  
See fabrication drawing.

For fabrication drawing details contact Ullrich Aluminium Sales.

**MODEL:**

UA 5354 &amp; UA 6758

**APPLICATION:**

Vertical or horizontal sunscreen commercial buildings, hospitals, covered paths.

**MATERIAL:**

All blades are extruded from 6000 series aluminium alloy.

All screws and rivets are stainless steel.

**FINISH:**

Louvre components can be supplied in either mill, anodised or powdercoated finish.

**SIZES:**

Can be manufactured to suit opening up to 6000mm high x 2000mm wide.

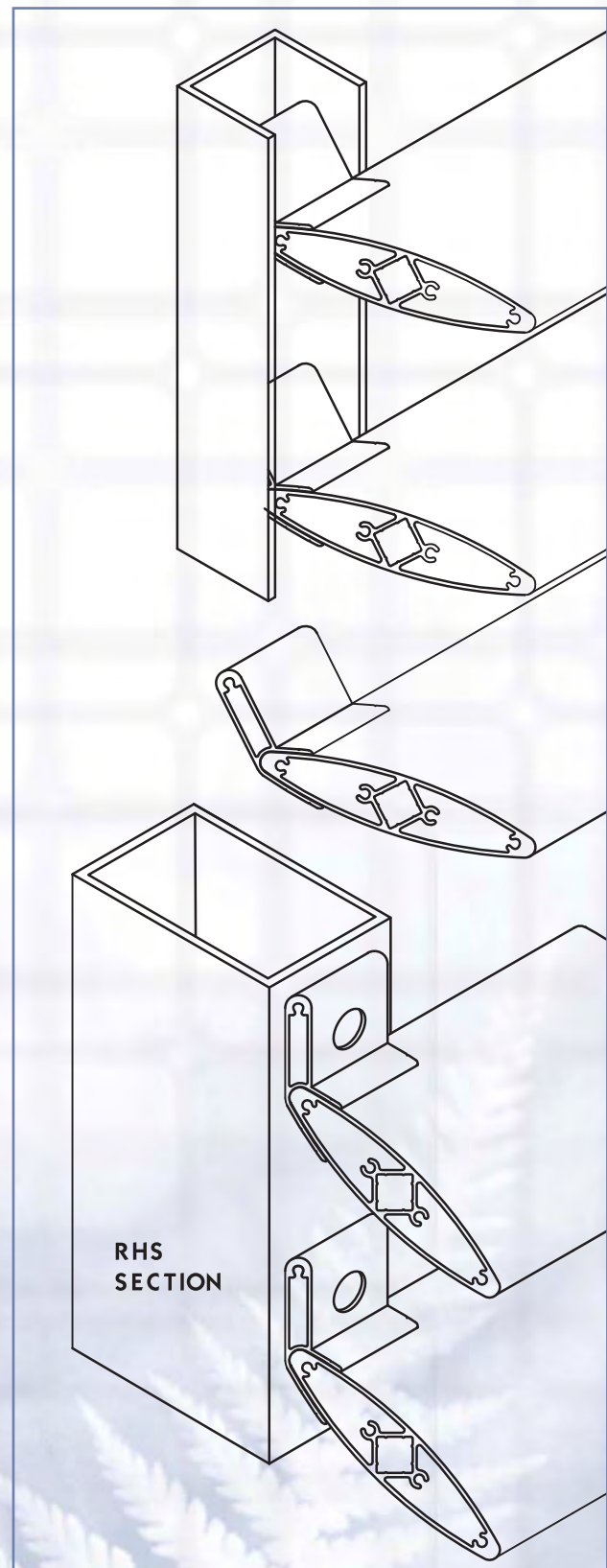
**TO SPECIFY:**

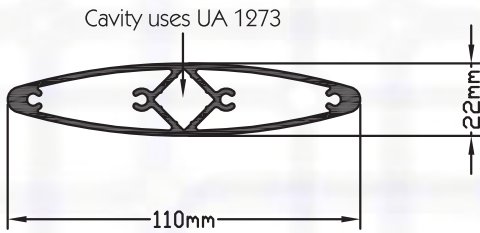
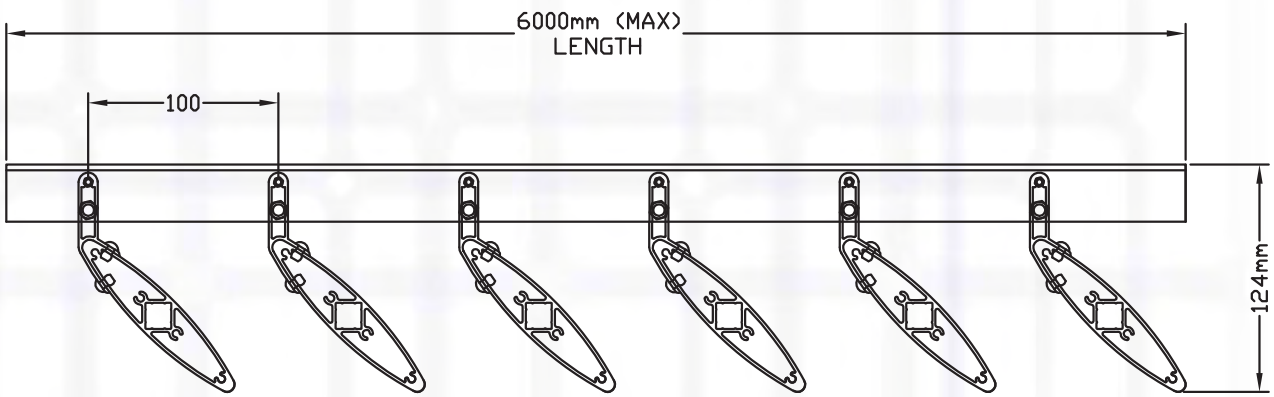
Louvres shall be Ullrich Aluminium model UA 5354 or UA 6758. Blade pitched to suit opening.

Finishing – see above.

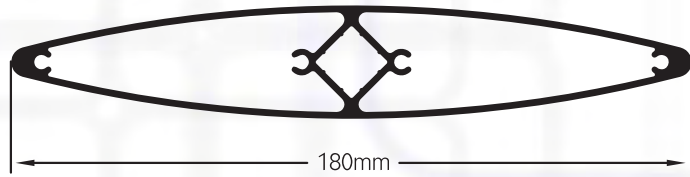
Installation shall be as per manufacturers recommendations.

– For typical fixing details see page 20

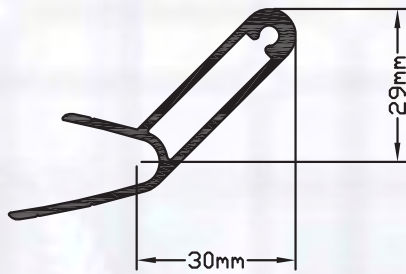




LOUVRE BLADE  
UA5354



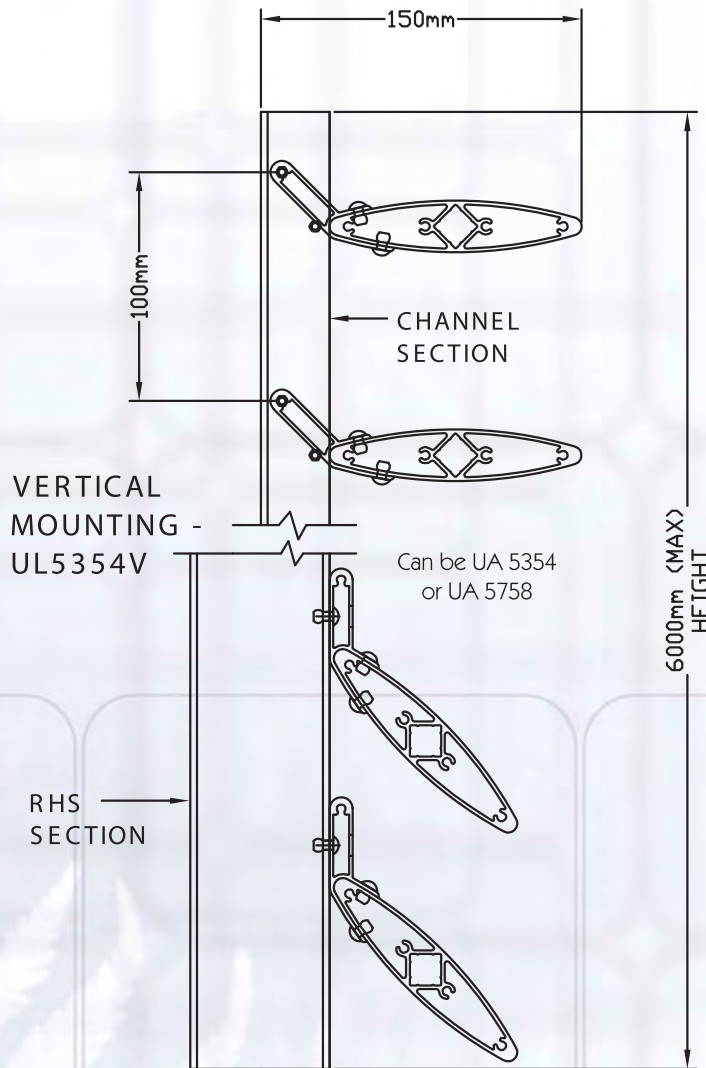
UA 6758



LOUVRE BRACE  
UA5355



RHS SECTION



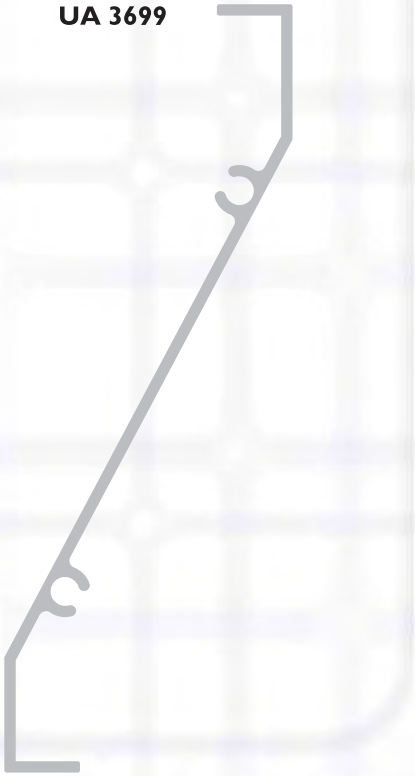
**NOTE:**

- Pitch can be varied to suit height.
- Louvre blades are riveted to braces and either riveted or bolted to supports.
- 2000mm max width.

For fabrication drawing details contact Ullrich Aluminium Sales.



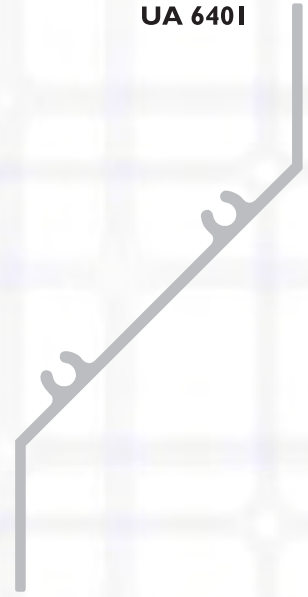
UA 3699



UA 3164



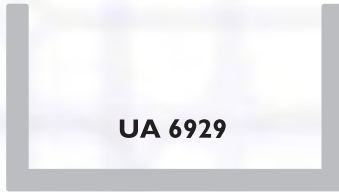
UA 6401



UA 1144



UA 6929



UA 1144



DOOR RELIEF GRILLES  
OPTIONS

UA 1902



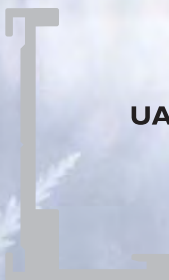
UA 3653



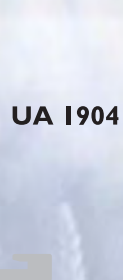
UA 1065



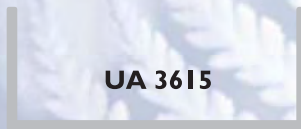
UA 1903



UA 1904



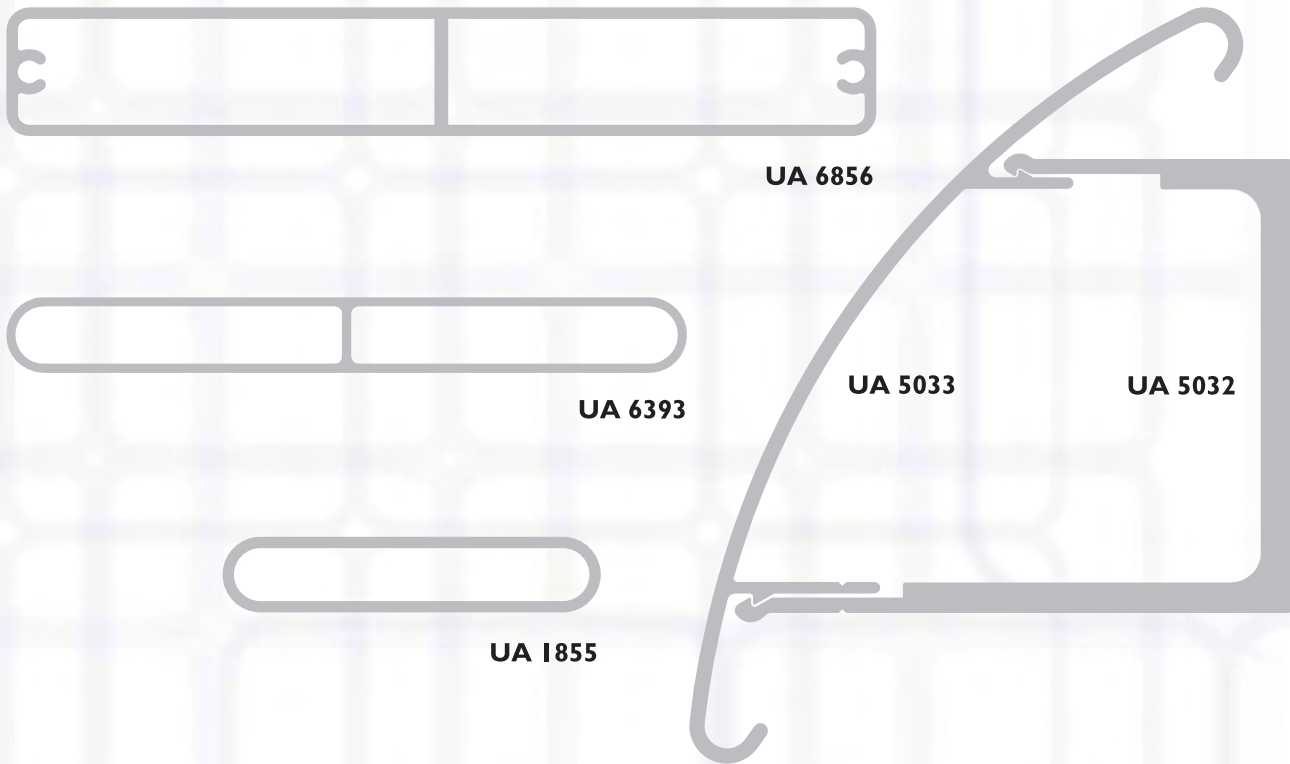
UA 3615



UA 1063



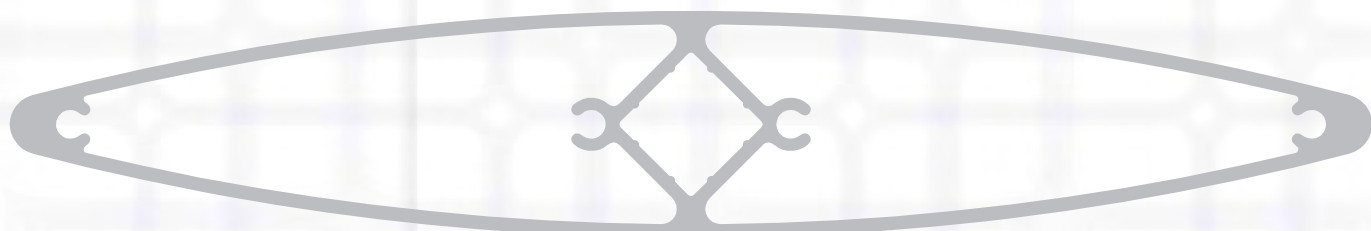
UA 1064



ALUMINIUM BLADES FOR LOUVRE WINDOW FITTINGS

BLADELOCK, TRIMLINE, NACO





**UA 6758**  
180mm



**UA 5354**  
110mm



**UA 6876**  
150mm



**UA 6860**  
120mm



**UA 4085**  
94mm



**UA 6526**  
90mm



**UA 5502**  
100mm

**UA 5375**  
200mm



**UA 5374**  
90mm

**UA 5091**  
Self Mating - 150mm



Dies on this page with permission of "Three Sixty Ltd"

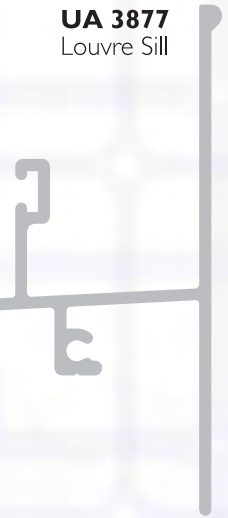
**UA 5536**  
Louvre Mullion



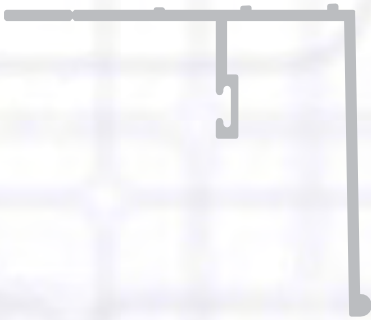
**UA 5535**  
Louvre Mullion Clip



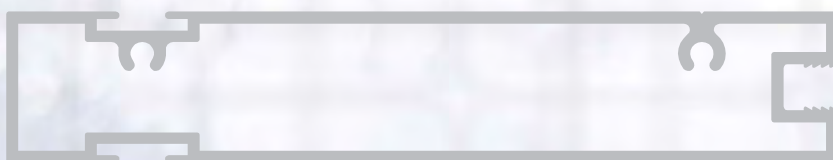
**UA 3877**  
Louvre Sill



**UA 3442**  
Louvre Weather Bar



**UA 3431**  
Louvre Surround Frame

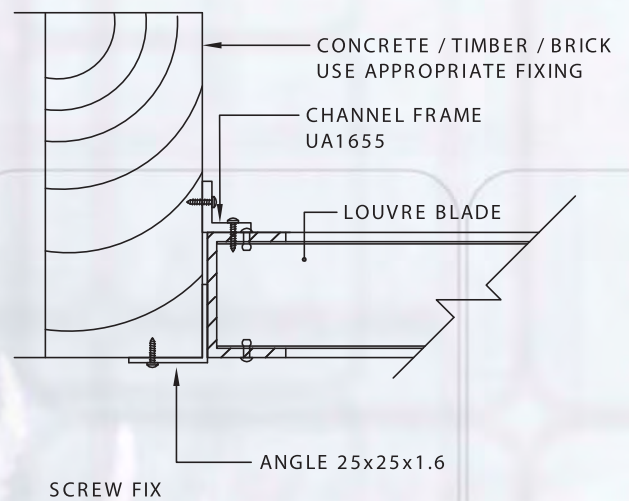
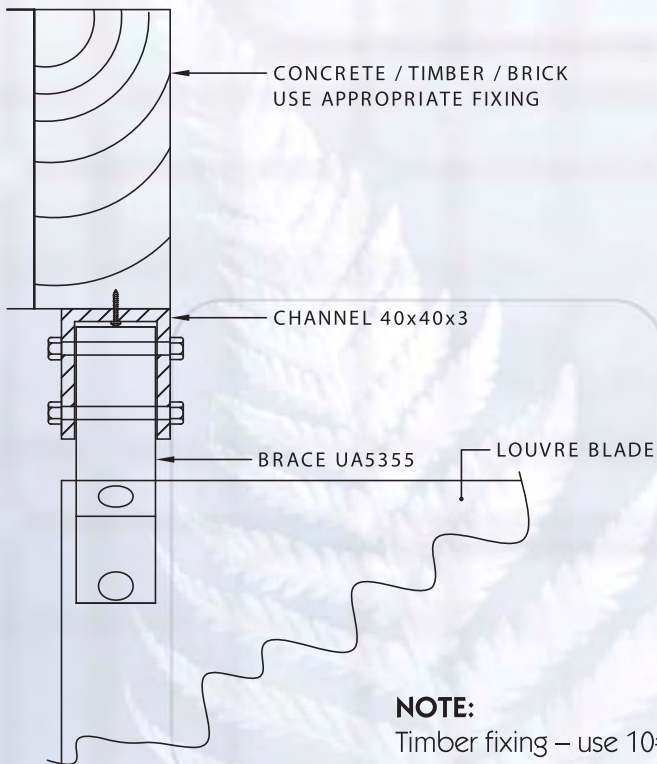
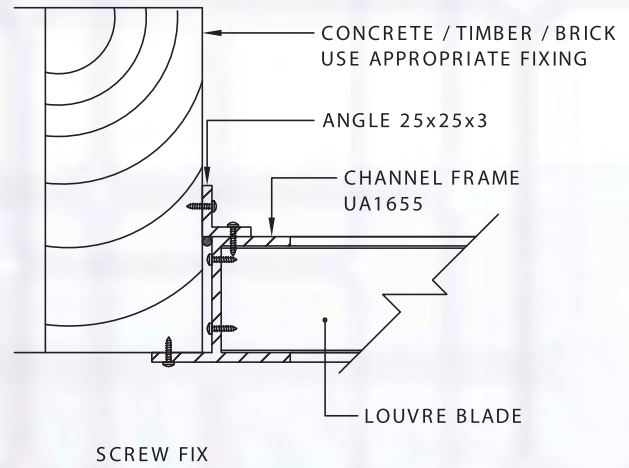
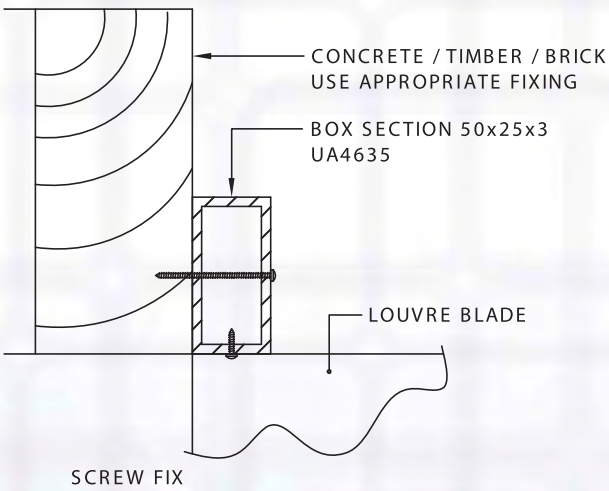
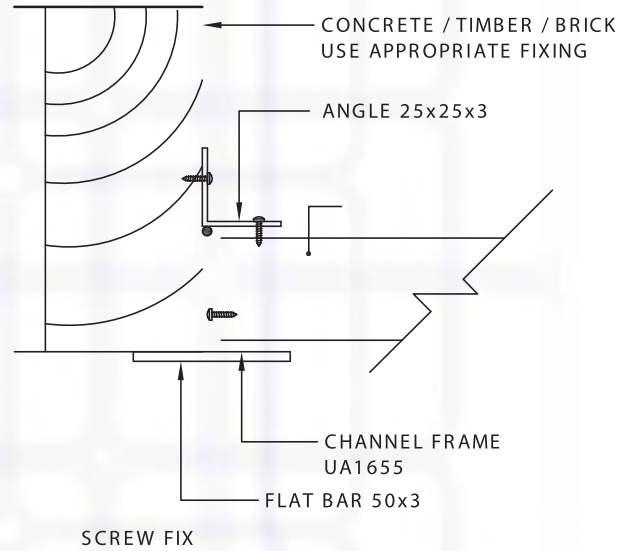
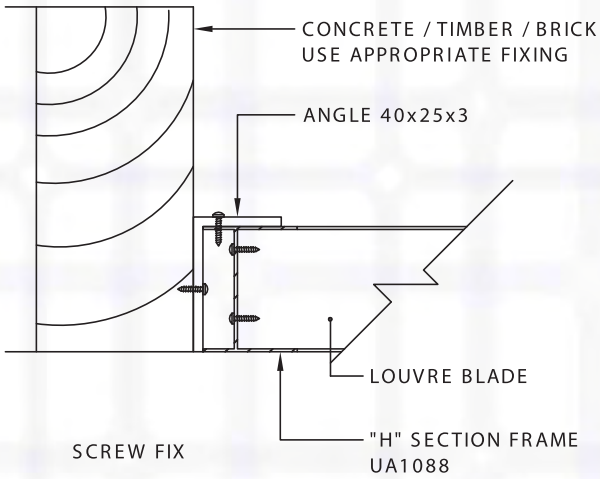


**UA 5234**  
Louvre Blade



**UA 5442**  
Louvre Frame





**NOTE:**

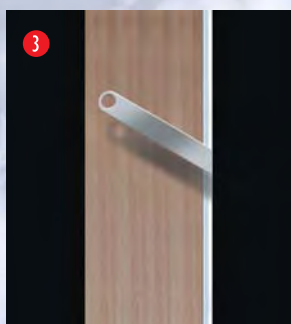
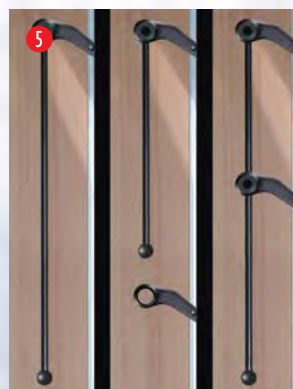
Timber fixing – use 10#x30lg S.S screws Mushroom HD. Fix @ 500mm (max ctrs).  
 Masonry fixing – for RHS sections/ M8 S.S Dynabolts (min. Engagement 40mm)  
 Fix @ 600mm (max ctrs)

**LOUVRE FITTINGS – A PRACTICAL SOLUTION FOR CONTROL OF LIGHT, SIGHT AND AIRFLOW**

For ventilation, light control and privacy, louvre windows are amongst the most practical of all window glazing treatments. They are well-suited for all enclosed spaces requiring controlled cross-breeze ventilation, and are particularly suitable in tropical and subtropical climates. Naco Airflow louvre fittings are supplied as a kit to your specifications, ready to install in aluminium or timber frames. Glass or aluminium blades are available.

**Benefits of Naco Airflow louvre fittings**

- Rust-resistant, fully housed mechanisms, smooth operation
- Durable finish – natural anodised offered as standard
- Precision-fit bladeholders to ensure positive blade contact
- Built-in compression-fin draught eliminators on blade holders
- Adaptability for optional factory-fitted security bars
- Multiple-handle operation options for versatile breeze control
- Adaptability for motorised remote-control operation (specify when ordering).



- 1 Aluminium blade with optional torsion bar reinforcing for wider windows.
- 2 Fitting for fixed panel in extended-height openings (cut to required size).
- 3 Factory-fitted lever for optional remote-control motorised operation.
- 4 Factory-fitted security bars.
- 5 Drop-rod controls for higher windows and convenient operation for multiple louvre sets.

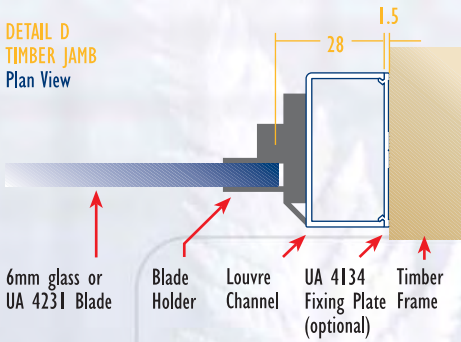
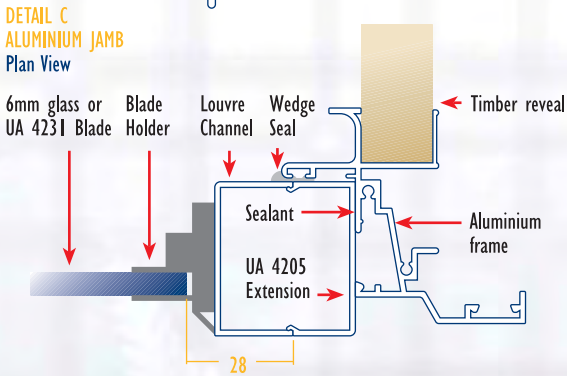
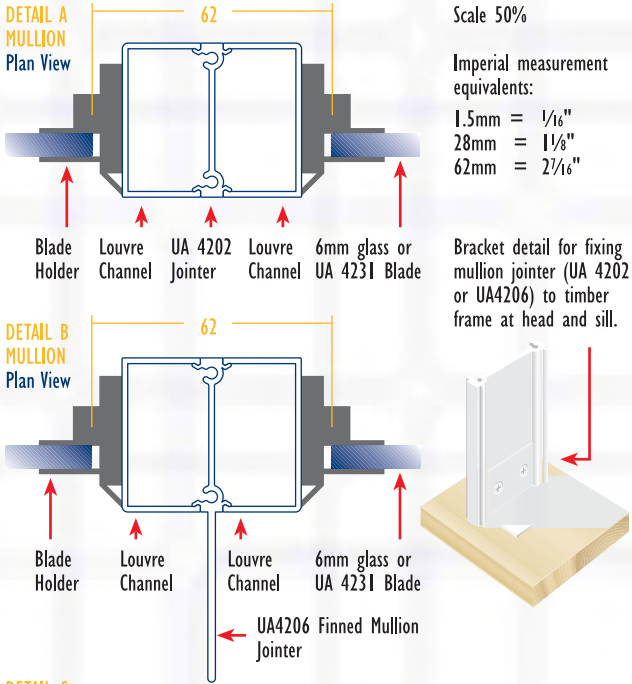
**PLANNING AND SPECIFYING**

Calculate the number of blades required from the following table. Extended window heights (ie: higher than standard sizes listed and within the next blade height) require fixed, custom-sized infill panels to fit remainder of opening depth. A fixed head weatherbar should be used above infill panels. Recommended maximum single blade length is 760mm. See diagrams to calculate blade widths.

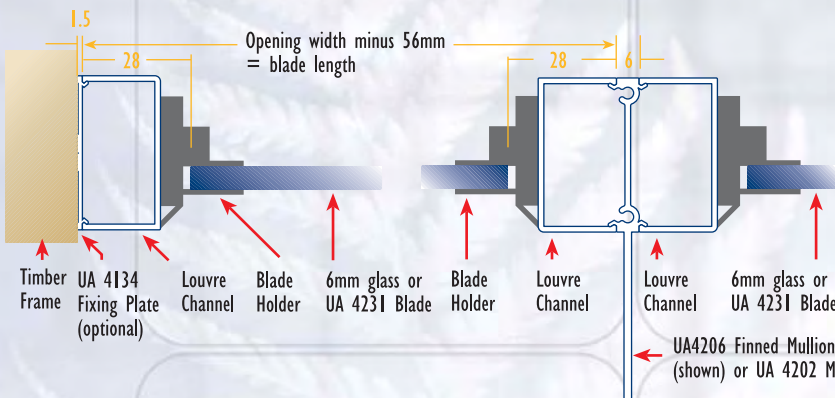
Standard aperture heights	Blades to fit	Extended aperture heights with fixed infill *	Blades for extended height: calculate infill size!	Number of control handles
305	12"	2	343 – 446	2 + 1
445	17½"	3	483 – 585	3 + 1
584	23"	4	622 – 725	4 + 1
724	28½"	5	762 – 865	5 + 1
864	34"	6	902 – 1004	6 + 2
1003	39½"	7	1041 – 1144	7 + 2
1143	45"	8	1181 – 1284	8 + 2
1283	50½"	9	1321 – 1424	9 + 2
1423	56"	10	1461 – 1563	10 + 2
1562	61½"	11	1600 – 1703	11 + 3
1702	67"	12	1740 – 1843	12 + 3
1842	72½"	13	1880 – 1982	13 + 3
1981	78"	14	2019 – 2122	14 + 3
2121	83½"	15		15 + 3

\* **Example:** An extended window height of 500mm requires 3 louvre blades (445mm) and a fixed infill panel of 55mm (500mm minus 445mm) to fit the aperture.

MULLION AND JAMB FITTING OPTIONS

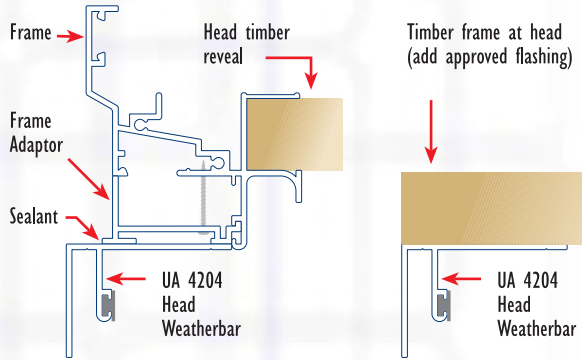


CALCULATING LOUVRE BLADE WIDTH (example per DETAIL D: TIMBER JAMB)

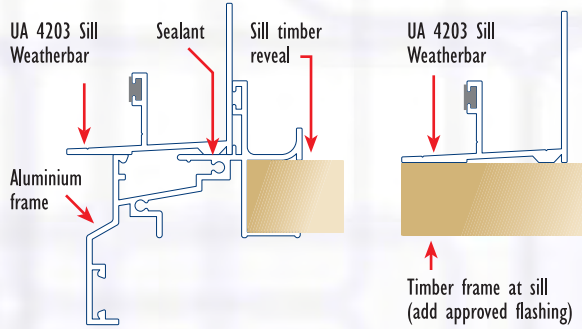


WEATHERBAR INSTALLATION

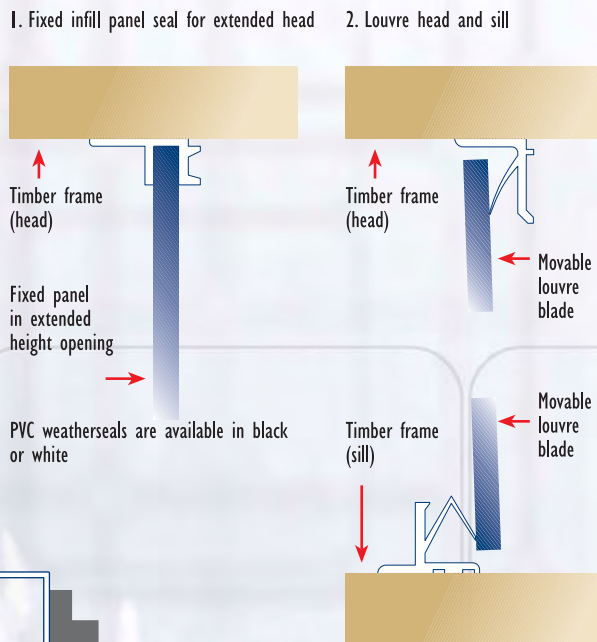
ALUMINIUM HEAD WEATHERBAR TO ALUMINIUM OR TIMBER FRAME  
Side Section Elevation



ALUMINIUM SILL WEATHERBAR TO ALUMINIUM OR TIMBER FRAME  
Side Section Elevations



PVC WEATHERSEAL OPTIONS  
Side Section Elevations



*naco air flow*  
 DELUXE LOUVRE FITTINGS BY ULLRICH ALUMINIUM



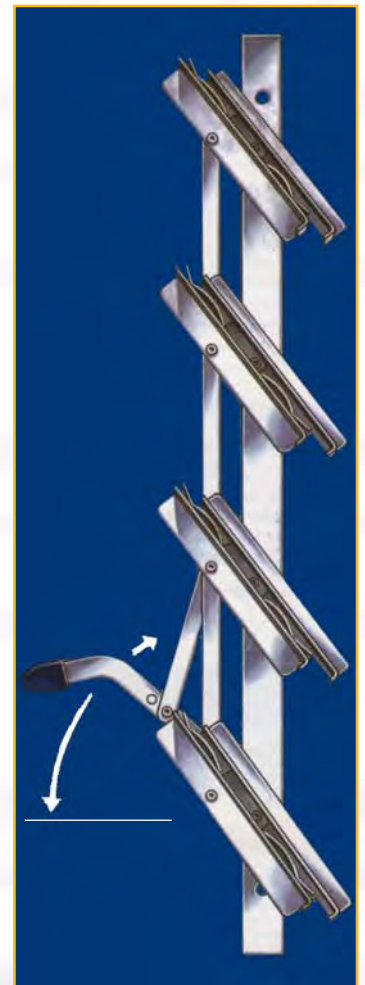


# TRIMLINE LOUVRES

## BENEFITS AND FEATURES OF TRIMLINE LOUVRES

- Suitable for Hotels, Motels, Factories, Offices, Schools, Shops and Homes.
- Cyclone tested by the James Cook Cyclone Structural Testing Station, Townsville, Australia to wind load code AS1170.2 1989
- The ultimate in controlled ventilation with a combined locking and operating handle. Pivots are specially treated to give smooth control. It is recommended that a spot of light oil be placed on each pivot periodically. The plastic tipped handle ensures comfortable and firm control. Left hand control is standard.
- Manufactured from anodised aluminium extrusions, light-weight and available in natural anodised finish, as standard.
- Fitted with a patented security stop which prevents glass being removed when the louvre is locked in position. Glass blades are not supplied with the louvre fittings but are stocked by glass merchants in various types.

A set of Cooper Louvres consists of two aluminium mullions with attached operating mechanism and channels for holding the glass blades. These mullions are not joined together in any way and therefore can be spaced to fit any width opening with the maximum recommended of 762mm.



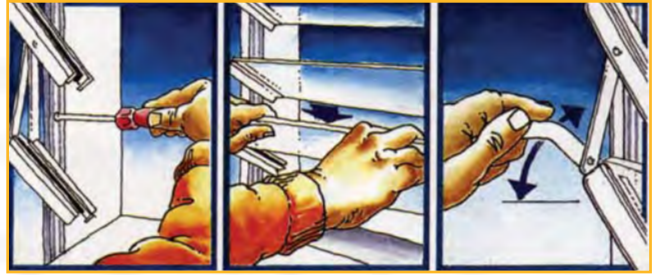
## SIZES AVAILABLE

	NUMBER OF BLADES	OVERALL HEIGHT	
		mm	inches
Single Control Handle	2	304	12
	3	444	17 1/2
	4	584	23
	5	724	28 1/2
	6	863	34
	7	1003	39 1/2
	8	1143	45
	9	1283	50 1/2
	10	1422	56
	11	1562	61 1/2
	12	1702	67
	Extension Unit	6	838

With openings above 1702mm high it is necessary to stack sets of louvres on top of each other. To do this a specially modified 6 Blade louvre is available called a '6 Blade Extension Unit'. This can be used in conjunction with all the above sizes.

## INSTALLATION INSTRUCTIONS

- Before installing the louvre fittings, make sure the frame is square and true throughout. Failure to observe this fundamental instruction will cause the louvres to be stiff in operation and could result in air and water leakage.
- When screwing the louvre mullions to the side frame ensure that they are exactly parallel and opposite each other. Providing the frame is plumb in all directions this may be done easily by scribing a guide line down either jamb at equal distance from the outer face.
- Ease back the glass retaining clips and then insert the glass blade. When this is fully home the clip must be bent over the top edge to retain the blade in its correct position.
- The louvre must be in the locked position when fitting the sill-board at the bottom and the cover bead at the top. These should be brought up to but NOT pushing against the glass. This will ensure the weather-proof seal between the blades is maintained. This is most important as most complaints concerning faulty operation of the louvre are due to incorrect positioning of the sill-board or cover bead forcing against the glass preventing the blades sealing correctly.



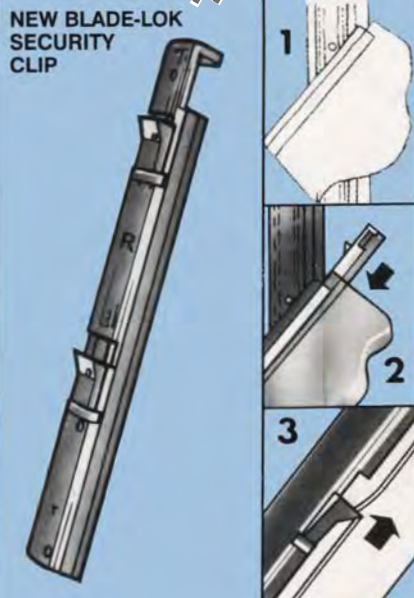
*Durability Statement* - Cooper Louvres are anodised aluminium window louvres with aluminium pivots. Anodised aluminium has good durability in most environments in New Zealand, but must be washed down regularly to maintain its appearance. The colours of the anodising may fade as time passes, but this does not represent a problem to the overall durability of the system. As part of the cladding, a durability of 15 years is required by the New Zealand building code. When

- installed and maintained in accordance with the manufacturer's instructions
- washed down regularly to remove deposited salt and dirt
- not used in the corrosion "hot-spots" of geothermal areas, as determined by the local authority
- not used in areas of heavy industrial pollution these louvre frames will be durable for 15 years. As mentioned, regular washing down is very important - the specified life can probably be attained in many situations with minimal washing down, but the appearance and ultimate durability of the frames will be severely reduced.



# BLADE // LOK

NEW BLADE-LOK SECURITY CLIP



1. Slip glass into place

2. Slide left hand and right hand clips between glass and channel and push all the way home

3. The spring loaded 'tip' of the clip slides over the first head and locks the glass firmly in place



**SECURITY CLIP**

Each individual louvre blade is fitted either end with our unique security clip.

**RIDGED SECTION MULLION**

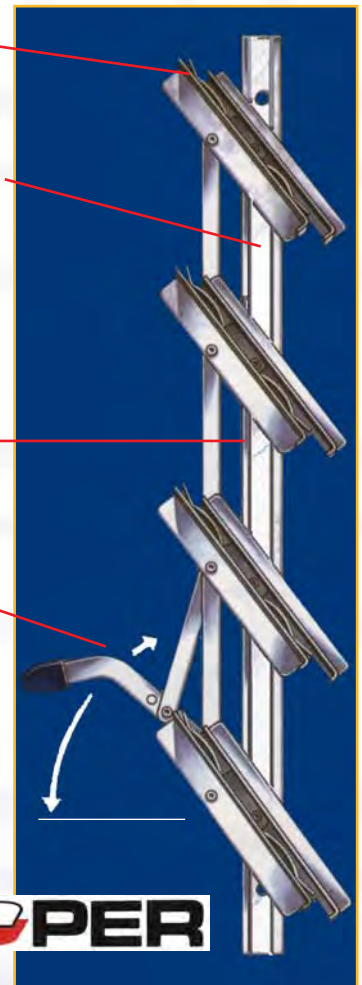
Non-rusting aluminium with anodised natural finish offered as standard. Each pivot point is specially treated to give smooth trouble free action. An occasional spot of light oil is all that's necessary.

**POLY SEAL**

Twin non-rot poly seals create an exceptionally firm seal against the weather, drafts and leaks.

**CONTROL HANDLE**

The handle combines locking and full adjustment of the blades. The shaped plastic nob is smooth and comfortable while ensuring positive non-slip control at all times.



**BENEFITS AND FEATURES OF BLADE-LOK LOUVRES**

- Fitted with two poly-pile edge strips to keep out dust, rain and to reduce drafts. Improved strutting has eliminated annoying wind rattles.
- Manufactured from robust aluminium with anodised natural finish offered as standard providing strength and attractive appearance.
- Fitted with a patented BLADE-LOK security clip which prevents glass being removed when the louvre is in a locked or open position. Glass blades are not supplied with the louvre fittings but are stocked by glass merchants in various types. Can be tinted with film just the same as any glass window.
- Combined locking and operating handle with a plastic tip to ensure comfortable and firm control. Left hand control is standard but can be supplied on the right to 'special' order.
- A set of Cooper De Luxe Louvres consists of two aluminium mullions with attached operating mechanism and channels for holding the glass blades. These mullions are not joined together in any way and therefore can be spaced to fit any width opening with the maximum recommended of 762mm.

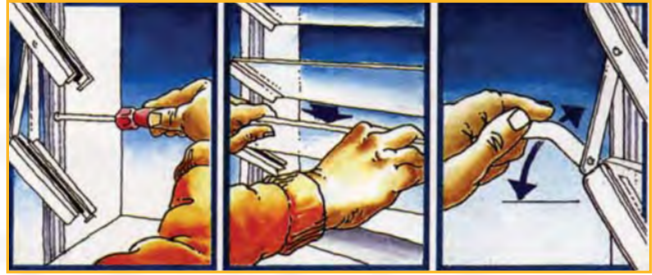
**SIZES AVAILABLE**

	NUMBER OF BLADES	OVERALL HEIGHT	
		mm	inches
Single Control Handle	2	304	12
	3	444	17 1/2
	4	584	23
	5	724	28 1/2
	6	863	34
	7	1003	39 1/2
	8	1143	45
	9	1283	50 1/2
	10	1422	56
	11	1562	61 1/2
	12	1702	67
	Extension Unit	6	838

With openings above 1702mm high it is necessary to stack sets of louvres on top of each other. To do this a specially modified 6 Blade louvre is available called a '6 Blade Extension Unit'. This can be used in conjunction with all the above sizes.

## INSTALLATION INSTRUCTIONS

- Before installing the louvre fittings, make sure the frame is square and true throughout. Failure to observe this fundamental instruction will cause the louvres to be stiff in operation and could result in air and water leakage.
- When screwing the louvre mullions to the side frame ensure that they are exactly parallel and opposite each other. Providing the frame is plumb in all directions this may be done easily by scribing a guide line down either jamb at equal distance from the outer face.
- Ease back the glass retaining clips and then insert the glass blade. When this is fully home the clip must be bent over the top edge to retain the blade in its correct position.
- The louvre must be in the locked position when fitting the sill-board at the bottom and the cover bead at the top. These should be brought up to but NOT pushing against the glass. This will ensure the weather-proof seal between the blades is maintained. This is most important as most complaints concerning faulty operation of the louvre are due to incorrect positioning of the sill-board or cover bead forcing against the glass preventing the blades sealing correctly.







Phone for your nearest

**ULLRICH ALUMINIUM SALES CENTRE**

**AUSTRALIA - 1300 650 075**

**NEW ZEALAND - 0800 500 338**

- ALUMINIUM EXTRUSIONS
- ROLLED PRODUCTS
- FASTENINGS
- LADDERS
- SCAFFOLDS
- ULLTRACLAD CLADDING
- WINTEC WINDOWS & DOORS
- BUILDING PRODUCTS
- DECORATIVE METALS
- TEKNA MACHINERY

**Map key:**

- + MANUFACTURING
- ⊕ SALES & DISTRIBUTION
- \* EXTRUSION PLANT

Representative and franchised operations throughout the South Pacific

ULLRICH ALUMINIUM PTY LTD  
 PO Box 246 Carole Park Queensland 4300  
 20 Ron Boyle Crescent Carole Park Queensland Australia  
 Tel +61 7 3718 1400 Fax +61 7 3271 1230  
 ullrich@ullrich.com.au www.ullrich.com.au

ULLRICH ALUMINIUM CO LTD  
 PO Box 98 843 Manukau City  
 Auckland 2241 New Zealand  
 Tel +64 9 262 6262 Fax +64 9 262 6265  
 alkalum@uacl.co.nz www.ullrich.co.nz